

NEW ANTARA

2011 Models Edition 2



Proud Sponsor of Home Nations Football





Antara SE



Explore the city limits.

If you've never been shy about exploring new territory, it's great to know that you can now go anywhere in complete confidence in a New Antara – whether you choose the new front-wheel drive model or the innovative four-wheel drive system. Now with fresh styling and new diesel engines – featuring improved all-round efficiency – coupled to genuine driving excitement and innovative versatility, there's never been a bolder way to drive with style.

Exterior style	04	Versatility	18
Interior style	08	Model line-up	20
Driving dynamics	10	Accessories	24
Safety and security	12	Colours, trims and wheels	26
Driver features	14	Equipment	28
Interior features	16	Technical data	32

This brochure covers New Antara Exclusiv and SE models only. Some of the models shown include options and accessories available at extra cost. And not all of the features described are available on every model. So please check in the Equipment section for further details. From time to time, we may also offer alternative New Antara models such as Special Editions, featured in their own separate literature or found on the Vauxhall website: www.vauxhall.co.uk



Please see back cover for more details.



GALLERY

Antara Exclusiv

ANTARA

COTIXA



Explore your enthusiasm for creativity.

A smart new look, yet still complete with flowing curves and perfect proportions – New Antara has an even more expressive yet rugged style about it. Compact, sophisticated, yet tough, dynamic and now, more than ever, ready for an active life. Imposing alloy wheels, roof rails and protective skid plates. Be inspired by your New Antara – wherever your drive takes you.



Explore your reputation for individuality.

Wherever you're headed, go your own way. Don't just be different – do it with style and purpose. Just like the New Antara, your perfect companion. And now with the addition of a front-wheel drive model that retains all that rugged style, there's more than one way to express yourself – in town or in the real outdoors.





The image shows the interior of a car, focusing on the front seats. The seats are upholstered in a rich, brown leather with visible stitching. The center console is also visible, featuring a gear shifter and handbrake. The overall atmosphere is one of luxury and comfort.

Explore your passion for the finer things in life.

The New Antara interior is full of light and space, with high quality trims, premium finishes and top-of-the-range levels of equipment. Leather trim, electronic climate control, MP3 format and heated front seats are all available. The new electric parking brake function also frees up space for even more storage. And a high driving position gives you confidence, control and a great view of the road ahead.





Front-wheel drive. New to the Antara range is a conventional front-wheel drive system. Available on Exclusiv models only and mated to the 163PS version of the new 2.2CDTi 16v it offers the perfect choice for those who are looking for more affordable Antara motoring and the associated maximum fuel economy benefits.

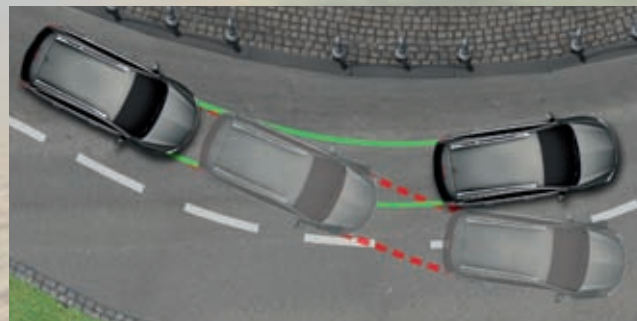
Intelligent four-wheel drive. The electronically controlled Antara system switches automatically between two- and four-wheel drive as conditions demand. In normal driving, power goes to the front wheels only, saving fuel at the same time. And when conditions turn difficult or slippery, four-wheel drive is automatically engaged, switching the drive as required to the front and rear wheels for optimum traction.

New efficient 2.2CDTi 16v diesel. Available in two versions – a 163PS unit with 350Nm of torque on Exclusiv and SE models and on SE Nav models a 184PS variant with an equally impressive 400Nm of torque. Not only is this latest engine more powerful than the previous unit, it is both quieter and smoother and offers up to 15% better fuel economy with manual transmission. In addition CO₂ emissions are vastly improved – the new front-wheel drive model achieves 167g/km.

Diesel Particulate Filter (DPF). Diesel Particulate Filters provide an effective means of reducing particulate emissions into the atmosphere. The maintenance-free Antara unit can cut the output of harmful emissions by over 90%. That's why it's standard equipment.

Automatic transmission. Rare for this class, a six-speed ActiveSelect[®] automatic transmission is available (at extra cost). Electronically controlled features include an adaptive driving function plus a new eco mode that maximises use of higher gears for improved fuel economy – which in combination with the new 2.2CDTi unit means over a 10% improvement over previous automatic models.

6-speed manual transmission. Antara's new multi-valve diesel engine comes with a slick but sturdy new six-speed manual gearbox as standard. The new manual front-wheel drive model achieves an impressive 44.8mpg on the combined cycle.



Electronic Stability Programme (ESP). Antara benefits from a unique interaction between switchable ESP, Traction Control (TC) and Descent Control System (DCS), all working together with the ABS system and on 4X4 models, intelligent four-wheel drive to deliver high degrees of driving satisfaction, comfort and active safety. If a wet roundabout or muddy corner catches you out, ESP applies corrective braking to help you regain control. TC helps maintain traction under acceleration. The ESP system fitted to the Antara also includes a trailer stability program and Hill Start Assist (HSA) that eases starting and eliminates roll-back on gradients.

Descent Control System. DCS enhances driver control on slippery slopes by maintaining a constant incline descent speed. Fitted as standard equipment, it allows drivers to make potentially tricky descents far more comfortably and at safer, constant speed.

Safety features. Antara protects you in so many ways. Front, side and full-size curtain airbags are standard, along with pyrotechnic body-lock seatbelt pretensioners for the front and outer rear seats. Adaptive brake lights flash when the ABS braking is activated.

Dual front seatbelt pretensioners. Working in tandem with the built-in front seat ramps they help to minimise the forward movement of the body during emergency braking. They also help enhance the effectiveness of the front airbags.

Tyre pressure monitoring system. Antara SE models permanently monitor individual tyre pressures using sensors located on the tyre valves, displaying the information on the screen. If a significant pressure loss is detected, the display identifies the offending tyre.

Passenger airbag deactivation. The front passenger's airbag can be deactivated when a child seat is fitted.



Front lights. For safer winter driving, front fog lights are standard on every model, recessed into the lower valance. Xenon headlights, with dynamic beam levelling and high-pressure washers, are standard on Antara SE models which now also feature daytime running lights. Our clever door-to-door illumination feature keeps the dipped headlights and rear lights on for 30 seconds to light your way as you leave the car.



Parking distance sensors. Standard on all 4X4 models, this clever Vauxhall system helps safeguard your car when parking. Sensors in the bumpers provide an audible warning when they sense an object behind – or in front of – the vehicle, making it altogether easier to park.



Security features. Remote control central deadlocking, ultrasonic security alarm system and an electronic engine deadlock immobiliser are standard.





19:49 -0.5°C
FM3 Radio 1

Navigation buttons: Home, Search, Recent, Hazard lights, and other controls.

Navigation screen showing a map with streets: Church Street, Station Road, Guildford Street, Melson Street, Power Court, and Kent Road. Includes a 'Menu' button and distance markers (80 yd, 500 yd, 100 mi).

Satellite navigation. Available as a retailer-fit option at extra cost the NX501E Multimedia audio unit (illustrated left) is fully integrated with the in-car systems and features touch-screen technology with satellite navigation, Bluetooth® and full iPod control. The unit can also be controlled through the steering wheel mounted audio controls.



Electric Parking Brake. The electric parking brake is easy to apply and also has an automatic release function to ease driving off on slopes.



Sensing features. The Antara driver environment is packed with clever ideas helping you concentrate on the road ahead. On SE activate the rain-sensitive wipers and they'll switch on automatically when it rains. Automatic lighting control does the same for the headlights when it starts to get dark.



Seating position. You don't just sit high up in Antara. You relax in total comfort, thanks to driver's seat height, tilt and lumbar adjustment, plus a reach and rake adjustable steering column. All models feature heated front seats – with three separate heat settings as standard.



Quality audio. Standard on Exclusiv and SE models the CD 30 MP3 CD player/ stereo radio plays MP3 tracks from CD. Antara models have seven speakers and steering wheel mounted audio controls. There's also an aux-in socket so you can play favourite tracks direct from your personal MP3 player.



Cruise control. Standard on all 4X4 models, the easy-to-use cruise control system allows you to maintain a steady speed without keeping your foot on the throttle. So it's more comfortable on long journeys and easier to keep to speed limits too.

**See the online Vauxhall Car and Accessory Price Guide for details of compatible mobile phones.*

Leather trim. Antara SE models feature stylish leather seat trim in Charcoal, Saddle Brown or a new Light Titanium finish to suit your exterior colour. It's complemented by contrasting trim on the fascia and doors, adding to the upmarket feel.

Front centre armrest. The centre console includes a comfortable armrest. Open the lid and you'll find more storage space for loose items like sweets, coins, CDs and other personal effects.



Heat-reflective windscreen. The SE features a multi-layered coating inside the windscreen which reflects the sun's heat, helping the electronic climate control maintain a pleasant – and constant – temperature inside the car.



Air conditioning and ECC. Standard on Antara Exclusiv, air conditioning makes for a fresher interior atmosphere all year round. SE models move up to Electronic Climate Control enabling you to maintain the interior temperature to within a single degree. All models feature rear heater ducts.



Front floor console. The electric parking brake has freed useful space for the centre console. On Exclusiv and SE models, the new centre floor console contains two drinks holders and a convenient open storage compartment. The armrest opens to reveal capacious storage for journey needs and personal items.



Rear drinks holders. Mounted in the rear seat centre armrest, the two drinks holders are the perfect place for en-route refreshments and typical of Antara's attention to rear passenger comfort. The armrest also features a useful storage facility.



Heated front seats. On all models, heating elements in the seat backs and cushions enable the front seats to reach a comfortable temperature in a very short time. There are three separate heat settings.







Spacious load area. Open the tailgate. Enjoy the space. An incredible 1420 litres of loadspace to be exact – with the rear seats folded forward. Even with all five seats in use, and the luggage compartment cover in place, a 928mm long floor length translates to as much as 420 litres of loadspace – easily enough for several large suitcases. If you need room for longer luggage, the rear seat back is 60/40 split-folding, so you can carry what you need and still have room for rear seat passengers.

Fold-flat front passenger's seat.

The fold-flat facility for the front passenger's seat on SE models allows the seat back to fold forward to accommodate extra-long items.



Practical storage. Antara has plenty of clever storage space. In the front you'll find door pockets, drinks holders, a sunglasses storage pocket (SE only), passenger seat undertray and storage in the front centre armrest. There are drinks holders and front seat back storage pockets for rear passengers too.



Roof rails. Antara's stylish silver-effect integral roof rails don't just look good. They're the perfect starting point for the Vauxhall roof rack system. Attach the accessory base carrier and it's ready for a wide range of lockable travel boxes and other specialist fittings for skis and more.



60/40 split-folding rear seat. Antara models feature a 60/40 split-folding rear seat with adjustable backrest. Tilted forward into the upright position, these provide extra usable luggage capacity.

Explore your flair for individuality.

Antara is all about going your own way, and that extends to model choice – choose the well-equipped Antara Exclusiv or the high-spec Antara SE models with premium leather trim as standard. Add a further choice of practical accessories and stylish colours and it's easy to make your Antara the perfect companion for an individual lifestyle.



Exclusiv

Standard features include:

- Switchable Electronic Stability Programme (ESP)
- Anti-lock Braking System (ABS)
- Descent Control System (DCS)
- Traction Control (TC)
- Hill Start Assist (HSA)
- Six airbags
- Air conditioning
- Electrically heated front seats
- Steering column adjustable for reach and rake
- 3-spoke leather-covered steering wheel
- Leather-covered gear knob (manual models only)
- Front fog lights
- Dark-tinted glass (excludes windscreen and front door windows)
- Automatic self-levelling rear suspension
- Silver-effect roof rails
- Electrically adjustable/heated door mirrors
- Electric parking brake
- CD player with MP3 format/aux-in/stereo radio (CD 30 MP3)
- 17-inch alloy wheels with 235/65 R 17 low profile tyres
- Remote control alarm system
- Rear seat centre armrest with cupholders

Four-wheel drive models also feature:

- Trip computer
- Cruise control
- Parking distance sensors front and rear
- 18-inch alloy wheels with 235/55 R 18 ultra-low profile tyres

Engine availability

2.2CDTi 16v (163PS)	25E
2.2CDTi 16v (163PS) 4X4	25E
2.2CDTi 16v (163PS) 4X4 automatic	25E

Insurance groups (ABI)



SE

Additional features over and above
Exclusiv 4X4 models:

- Electronic Climate Control (ECC)
- Automatic lighting control
- Rain-sensitive windscreen wipers
- Heat-reflective windscreen
- Twin illuminated vanity mirrors
- Chrome-effect exterior door handles
- Front passenger's seat with fold-flat facility
- Xenon headlights with dynamic beam levelling and high-pressure headlight washers
- Daytime running lights
- Electro-chromatic anti-dazzle rear-view mirror
- Electrically foldable door mirrors
- Leather seat facings
- Tyre pressure monitoring system
- Driver's sunglasses holder
- 19-inch alloy wheels with 235/50 R 19 ultra-low profile tyres

Engine availability

Insurance groups (ABI)

2.2CDTi 16v (163PS) 4X4	28E
2.2CDTi 16v (163PS) 4X4 automatic	28E
2.2CDTi 16v (184PS) 4X4	28E
2.2CDTi 16v (184PS) 4X4 automatic	28E

*Model illustrated features the optional retailer fit NX501E
Navigation system, available at extra cost.*





Genuine Vauxhall accessories are the right choice for your New Antara. Whatever you're into, there's certain to be a genuine Vauxhall accessory with your name on it, all fitted by trained Vauxhall professionals. We've only featured a small selection of what's available here, so please check with your Vauxhall retailer for accessory availability information or visit our website at www.vauxhall.co.uk/accessories



Aluminium base carrier*. The roof rack system begins with this lockable base carrier, comprising two T-track roof bars which support a wide range of products from Thule, including bicycle carriers and roof boxes (illustrated far right).



Detachable coupling tow bar with 12N electrics. If you want a tow bar coupling that can be removed from your vehicle when you're not towing, this is the choice for you. The coupling is easily mounted and detached for maximum convenience.



Velour and rubber floor mats. Hard wearing and easy to fit, our velour or rubber Charcoal floor mats are the best way to protect your car's interior.

FURTHER ACCESSORIES INCLUDE:

- Alloy wheels
- Safety Pack
- Thule roof boxes and bicycle carriers
- Fixed or detachable tow bars with 7- or 13-pin connection
- Rear parking distance sensors
- Load-restraining net
- USB multimedia connection
- Door sill covers
- Front passenger seat net
- Rear bumper protection film

*Product may vary from image shown. Model illustrated (main image right) features aluminium base carrier fitted with Thule Ocean 80 roof box and side-window air deflectors.



FlexOrganiser®. Antara is pre-fitted with mounting points for our innovative accessory FlexOrganiser® system – side rails with sliding hooks and specially devised storage nets and pockets. With all your belongings safe in predefined compartments, it's the smart, versatile way to manage your load area.



Reversible anti-slip cargo liner. Our strong and sturdy Charcoal-coloured cargo mat is tailor-fitted to the luggage compartment and perfectly matches the car's interior. Reversible design features carpet with Antara lettering on one side, and easy-to-clean anti-slip surface on the other.



Mud flaps. Specifically tailored for all Antara models they are designed to help protect the vehicle's bodywork against mud, salt and stones whilst aiding visibility for following vehicles by reducing spray in wet weather.



Clarion NX501E Multi-media audio.

Fully integrated featuring the following:

- 3D navigation system with six-inch colour touch-screen
- 44 country European mapping
- USB iPod connection in glovebox
- Mobile phone system with Bluetooth®
- DVD/MP4 playback



irmscher

Styling

Developed in conjunction with auto design specialists Irmischer International, Antara styling accessories perfectly complement the vehicle's lines, as well as being manufactured to the same exacting standards as the car itself.



Create a distinctive look for your Antara with the cross hatch front grille from Irmischer. Featuring an aluminium upper strip with a laser-etched 'Irmischer' logo, it adds a touch of individuality.



For an individual look the body-colour rear roof spoiler is the perfect choice for your Antara.

Show your true colours.
New Antara is available in
a carefully selected range
of paint and interior finishes.

All our colours and seat trims,
including the premium leather
upholstery, are designed to
perfectly complement Antara's
dynamic and stylish personality.

**Optional at extra cost.*



Olympic White – Solid



Sovereign Silver – Metallic*



Placid Grey – Metallic*



Carbon Black – Metallic*



Cream White – Pearlescent*

Each model features an
imposing alloy wheel design
that complements the Antara's
expressive yet rugged style.

Please note: An emergency tyre
inflation kit is standard on all models.



**Exclusiv FWD 17-inch alloy wheels
with 235/65 R 17 low profile tyres**

FWD = Front wheel drive.



**Exclusiv 4X4 18-inch alloy wheels with
235/55 R 18 ultra-low profile tyres**



**SE 19-inch alloy wheels with
235/50 R 19 ultra-low profile tyres**

Exterior colour and trim combinations.

Model	Exclusiv FWD	Exclusiv 4X4	SE		
Trim name	Vicker cloth/Morrocana Charcoal	Vicker cloth/Morrocana Charcoal	Leather Charcoal	Leather Light Titanium**	Leather Saddle Brown**
Solid					
Olympic White	•	•	•	•	-
Two-coat metallic*					
Sovereign Silver	•	•	•	-	-
Placid Grey	•	•	•	-	•
Carbon Black	•	•	•	•	•
Two-coat pearlescent*					
Cream White	-	•	•	•	-

• = Standard equipment. - = Not available. ** = No-cost option in lieu of Charcoal leather.

Due to the limitations of the printing process the colours reproduced may vary slightly from the actual paint colour or trim material. As a result they should be used as a guide only. Your Vauxhall retailer has a comprehensive display of all our paint samples and trim swatches.



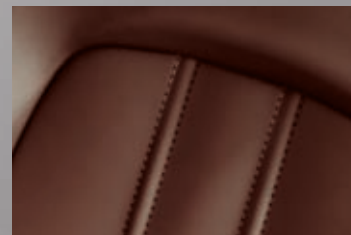
Vicker cloth/Morrocana, Charcoal



Leather, Charcoal



Leather, Light Titanium



Leather, Saddle Brown

Contents

Equipment

Safety	28
Security	
Heating and ventilation	
Facia, instruments and controls	29
Interior features	
Mechanical features	30
Exterior features	
Audio, communications and navigation	31
Technical data	
Engines	32
Transmissions	
Steering	
Suspension	
Brakes	
Body	
Fuel tank capacity	
Vauxhall Assistance and warranties	
Performance, fuel economy, emissions and VED rates	33
Exterior dimensions	34
Luggage capacities	
Loadspace dimensions	
Weights and towing data	
Features explained	35

Safety

Standard features • Driver's airbag • Front passenger's airbag • Front seat side-impact airbags • Full-size curtain airbags • Energy-absorbing steering column • Pedal release system – Reduces potential injury to the driver's legs and feet during a severe frontal impact • Laminated windscreen • Side-impact protection beams • Integral protective side door padding • Reinforced passenger safety cell • Deformation zones front and rear • Burst-proof door locks and anti-jam door design • Child-proof locks on rear doors

• **ISOFIX child seat restraint system for outer rear seats (does not include child seat)** – Secures ISOFIX child safety seats to the vehicle itself, virtually eliminating the dangers that can result from improper installation • **Deactivation switch for front passenger's airbag**

• **Switchable Electronic Stability Programme (ESP)** – see **D1** on page 35 • **Anti-lock Braking System (ABS)** • **Electronic Brakeforce Distribution** – Distributes the braking force between the wheels most able to use it, allowing stable and efficient braking • **Cornering Brake Control** – see **D2** on page 35 • **Emergency Brake Assist** – Increases applied brake force in emergency braking situations • **Descent Control System** – see **D3** on page 35 • **Trailer stability programme** • **Adaptive Brake Lights** – If the driver brakes hard enough to activate the ABS the brake lights flash on and off at the rate of four times per second, thus warning following vehicles that heavy braking is in progress • **Electric parking brake**

• **Height-adjustable front and outer rear seat head restraints** • **Front body-lock lap and diagonal seatbelt pretensioner system** – Tightens the lap and diagonal belts during the early stages of a frontal impact • **Outer rear body-lock diagonal seatbelt pretensioner system** • **Front and outer rear seatbelt force limiters** – Reduce potential upper body injuries during a frontal impact • **Anti-submarining ramps in all seats** – Help prevent occupants sliding underneath the lap belt during a collision

Additional features

	Exclusiv FWD	Exclusiv 4X4	SE
Tyre Pressure Monitoring System			●
Safety interlock on models with automatic transmission – Requires the foot brake to be applied before shifting out of Park		●	●

Security

Standard features • Remote control ultrasonic security alarm system • Remote control two-stage central deadlocking (doors, tailgate, fuel filler flap) • Visible Vehicle Identification Number (VIN) plate • Electronic engine deadlock immobiliser • Electronic theft protection for audio equipment • Driver's internal central locking switch • Freewheeling driver's door lock • Door-to-door illumination – Keeps the headlights and rear lights on for 30 seconds after the car doors are locked • Retractable luggage area cover • Folding key • Locking wheel nuts

Heating and ventilation

Standard features • Interior pollen filter • Air recirculation with activation light • Air blend heater with four-speed fan • Rear passenger compartment heating outlets

Additional features

	Exclusiv FWD	Exclusiv 4X4	SE
Air conditioning	●	●	
Electronic Climate Control (ECC)			●

Facia, instruments and controls

Standard features • Multi-function display showing time, date, audio information and outside air temperature (with ice warning function) • Rev counter • Digital clock with automatic RDS time adjustment • Black instruments with chrome edging • Leather-covered three-spoke steering wheel • Leather-covered gear knob (manual models only) • Steering column adjustable for reach and rake • Electronic odometer and trip odometer • Instrument panel light dimmer • Handbrake-on/low brake fluid level and low fuel level warning lights • Service interval monitor • Cigar lighter and front ashtray • Seatbelt unfastened warning light for front seats

Additional features	Exclusiv FWD	Exclusiv 4X4	SE
Cruise control		●	●
Multi-function trip computer ¹		●	●

Interior features

Standard features • Driver's seat with reach, rake, height and lumbar adjustment • Electrically heated front seats with variable temperature settings • Lidded glovebox • Charcoal metallic-effect centre console • 12-volt auxiliary power socket within centre console • Drinks holders in front centre console • Front centre armrest with storage facility • Chrome-effect interior door handles • Colour-keyed fleece velour carpet • Front door pockets • Front passenger's underseat storage tray • Map pockets on front seat backs • Drinks holders in rear passengers' armrest • FlexOrganiser® rails in sides of luggage area • Fully carpeted and illuminated luggage area • Front map reading lights integral with courtesy light • Rear reading lights • Fade up/fade down courtesy lighting operated by door switches • 60/40 split-folding rear seat back • Adjustable rear seat backrest

Additional features	Exclusiv FWD	Exclusiv 4X4	SE
Twin sunvisors incorporating front passenger's vanity mirror with cover	●	●	
Twin sunvisors incorporating illuminated driver's and front passenger's vanity mirrors with covers			●
Driver's sunglasses holder			●
Electro-chromatic anti-dazzle rear-view mirror			●
Morrocana-trimmed side bolsters on front and rear seats	●	●	
Leather seat facings			●
Front passenger's seat with fold-flat facility			●
Midnight Black inserts on facia and doors	●	●	
Atari metallic-effect inserts on facia and doors (with Charcoal or Light Titanium leather interior trim)			●
Macchiatto Burl wood-effect inserts on facia and doors (with Saddle Brown leather interior trim)			●
Rubber-backed velour carpet mats (retailer-fit)	○	○	○



Front centre armrest with storage facility.



Drinks holders in rear passengers' armrest.

● = Standard equipment.
○ = Optional at extra cost.

¹ = Information shown in the following order: instantaneous fuel consumption, average fuel consumption, amount of fuel used, average speed, distance travelled, range remaining, stop watch.



Front fog light.



Parking distance sensors.

Mechanical features

Features	Exclusiv FWD	Exclusiv 4X4	SE
Front-wheel drive	●		
Intelligent four-wheel drive – see D4 on page 35		●	●
Sports-tuned suspension	●	●	●
Automatic self-levelling rear suspension	●	●	●
Diesel particulate filter	●	●	●
Six-speed manual gearbox	●	●	●
Six-speed automatic transmission		○	○

Exterior features

Standard features • Dark-tinted glass (excludes windscreen and front door windows) • Tinted glass (windscreen and front door windows) • Heated rear window with automatic timed cut-off • Intermittent rear window wash/wipe • Electrically operated front and rear windows with driver's safety autoreverse and one-touch facility • Body-colour door mirrors • Electrically adjustable/heated door mirrors (wide-angle on driver's side) with automatic timed cut-off • Chrome-effect window trim • Silver-effect roof rails • Two-tone horn • Front fog lights • Lights-on audible warning • Twin gas-assisted tailgate struts

Additional features	Exclusiv FWD	Exclusiv 4X4	SE
Body-colour door handles	●	●	
Chrome-effect door handles			●
Front and rear protective skid plates	●	●	
Front and rear alloy-effect protective skid plates			●
Alloy-effect door sill covers			●
Electrically foldable door mirrors			●
Heat-reflective windscreen			●
Rain-sensitive windscreen wipers			●
Automatic Lighting Control			●
Stainless steel exhaust tailpipe			●
Daytime running lights			●
Dual Ellipsoidal headlights	●	●	
Xenon headlights with dynamic beam levelling and high-pressure headlight washers			●
Front and rear parking distance sensors		●	●
Tow bar with 7-pin electrics (retailer-fit) ²	○	○	○
Tow bar with 13-pin electrics (retailer-fit) ²	○	○	○
Two-coat metallic or pearlescent paint	○	○	○

Audio, communications and navigation

Features	Exclusiv FWD	Exclusiv 4X4	SE
CD player with MP3 format/stereo radio (CD 30 MP3) <ul style="list-style-type: none"> • CD player with MP3 format • Auxiliary-in socket • AM/FM stereo radio with 24 station presets • RDS with Traffic Programme • Remote display • 20 watts per channel output • 7 speakers 	●	●	●
Navigation NX501E (retailer-fit) <ul style="list-style-type: none"> • 3D navigation system with 6-inch colour touch-screen • 44 country European mapping • USB iPod connection in glovebox • Mobile phone system with Bluetooth® • DVD/MP4 playback 	○	○	○
Steering wheel mounted audio controls	●	●	●

Auxiliary-in socket

The auxiliary-in socket allows you to connect your portable MP3 music player directly into the car's audio system. All you need is your music player and a suitable connecting lead and you can listen to all your favourite tunes through your car's speaker system. Using your MP3 music player in the car couldn't be easier – use it to select the music, as you would normally do, while controlling the volume via the car's regular volume controls.

NX501E multi-media

The NX501E multi-media unit incorporates satellite navigation, Bluetooth® and DVD playback in addition to regular stereo radio and CD player features. Accessories are available that will allow you to play movies from your iPod/iPhone, or to use the touch-screen as a display for a rear-view camera, making reversing even easier.

Satellite navigation

The NX501E satellite navigation system uses the international network of GPS (Global Positioning System) satellites, linked to a comprehensive 3D mapping system on the 6-inch colour LCD touch-screen, to determine your precise location and guide you to your chosen destination virtually

anywhere in mainland Britain. It also offers navigation across a further 44 European countries.

The bright display makes it easy to follow your progress on screen, and the directional arrows are backed up by spoken instructions that guide you to your destination turn-by-turn. A travel guide is a particularly useful feature that has details of restaurants, hotels and other points of interest. Simply select the location you're interested in and let the navigation system guide you there.

Mobile phone system with Bluetooth®

The NX501E includes built-in Bluetooth® v2.0 +EDR, allowing high-speed data transfer of phonebook contents, call history and caller ID. Simply tap the 6-inch touch-screen to accept an incoming call and hear your caller through the stereo speakers. To make an outgoing call, choose a name from the phonebook via the touch-screen display. The unit features an in-built microphone to pick up your voice. You can even stream music directly from your compatible mobile phone.

USB connection

Fitted in conjunction with the NX501E, the USB connection provides iPod/iPhone control and read-out of iPod/iPhone functions through the touch-screen display. Traditional auxiliary-in sockets only allow control of the volume through the car's audio system. The USB connection also means that the iPod/iPhone will charge whilst it is connected. If you prefer to store your music on a memory stick this is no problem, you simply plug it in and play via the touch-screen.

DVD playback

The NX501E lets you play store-bought and pre-recorded DVDs without the need for an adaptor. It is also compatible with MP4 compression, therefore it allows much greater movie content to be stored on a single DVD. An available adaptor lead will also allow you to play movie files from your iPod or iPhone.

Please note, DVD playback is only possible when the vehicle is parked.



Steering wheel mounted audio controls.



NX501E satellite navigation system, showing touch-screen display.

- = Standard equipment.
- = Optional at extra cost.

2 = Please note: All New Antara models feature tow bar provision with Trailer Stability Programme and Electronic Stability Programme (ESP) as standard.

Engines

	2.2CDTi 16v (163PS) ECOTEC-4 Turbo diesel	2.2CDTi 16v (184PS) ECOTEC-4 Turbo diesel
Capacity	2231cc	2231cc
Maximum power	163PS (120kW) @ 3800rpm	184PS (135kW) @ 3800rpm
Maximum torque	350Nm (258 lb.ft.) @ 2000rpm	400Nm (295 lb.ft.) @ 2000rpm
Configuration	4 cylinders, 4 valves per cylinder, single overhead camshaft	
Fuel/induction system	Variable geometry turbocharger with intercooler. Common rail fuel injection	
Emission compliance	Euro 5 with Diesel Particulate Filter	
Service interval	20,000 miles or 1 year (whichever occurs sooner)	
<i>Benefit in kind company car taxation – 2011/12 tax year</i>		
FWD	26%	-
4X4 manual	28%	28%
4X4 automatic	34%	34%

FWD = Front-wheel drive.

Transmissions

Six-speed manual gearbox:

Standard on all models

Six-speed automatic transmission with Active Select function:

Available at extra cost. Electronically controlled with adaptive driving function and fuel-saving eco mode. Fluid drive with torque converter, lock-up clutch and Active Select.

Steering

- Speed-sensitive power-assisted steering
- Turning circle (kerb-to-kerb):
11.87m (38.9ft.)

Suspension

Front: Independent. Lightweight MacPherson struts with gas-pressure dampers and coil springs. Anti-roll bar.

Rear: Independent. Multi-link with coil springs and gas-pressure dampers. Automatic self-levelling rear suspension system integrated within the dampers, requiring no external power source.



Rear suspension includes automatic self-levelling.

Brakes

- Anti-lock Braking System (ABS)
- Dual circuit, diagonally split braking system

All models

Front ventilated discs: 296mm diameter
Rear ventilated discs: 303mm diameter

Body

- Aerodynamic drag co-efficient: Cd 0.38

Fuel tank capacity

65 litres (14.3 gallons).

Vauxhall Assistance and warranties

LIFETIME
WARRANTY 100,000 MILE

See back cover for details of our comprehensive warranties.

Performance, fuel economy, emissions and VED rates

	Performance (manufacturer's figures)		Fuel economy mpg (litres/100km)			CO ₂ emissions (g/km)	VED*	
	Maximum speed (mph)	Acceleration 0-62mph (secs)	Urban driving	Extra-urban driving	Combined figure		First year rate	Standard rate
<i>FWD models</i>								
2.2CDTi 16v (163PS)	117	9.9	34.4 (8.2)	54.3 (5.2)	44.8 (6.3)	167	£265	£190
<i>4X4 models</i>								
2.2CDTi 16v (163PS)	117	9.9	32.8 (8.6)	50.4 (5.6)	42.8 (6.6)	175	£265	£190
2.2CDTi 16v (163PS) automatic	113	12.0	27.4 (10.3)	44.1 (6.4)	36.2 (7.8)	205	£580	£260
2.2CDTi 16v (184PS)	124	9.6	32.8 (8.6)	50.4 (5.6)	42.8 (6.6)	175	£265	£190
2.2CDTi 16v (184PS) automatic	119	10.1	27.4 (10.3)	44.1 (6.4)	36.2 (7.8)	205	£580	£260

*VED = Vehicle Excise Duty. Correct at time of publication (July 2011).

Fuel consumption and CO₂ emission data complies with the relevant EU testing regulations used by vehicle manufacturers to enable comparisons between different models. **Important:** Please note fuel consumption can be affected by many factors including driving style, road and traffic conditions, vehicle mileage and standard of maintenance. In addition these results relate to the particular vehicle tested, inevitably there will be differences between individual vehicles of the same model.

Vauxhall supporting



Smarter driving tips

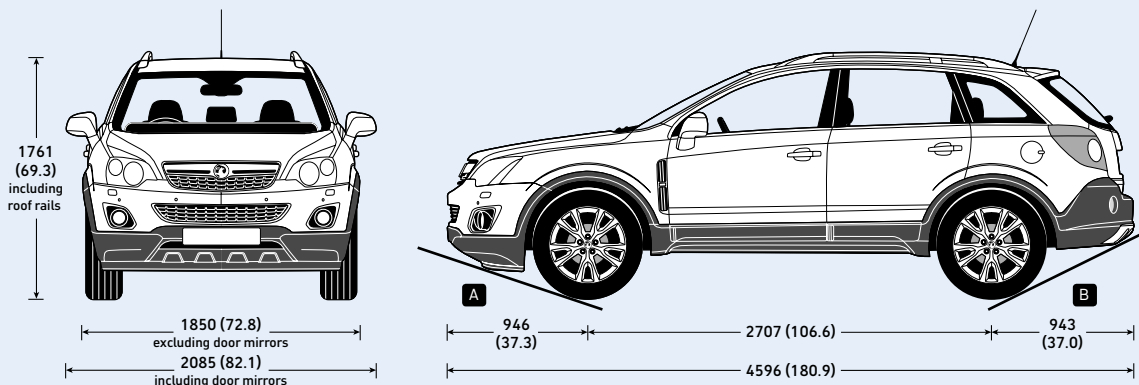
- **Drive at an appropriate speed:** Staying within the speed limit increases driver safety, reduces CO₂ emissions and saves fuel. At 70mph you could be using up to 9% more fuel than at 60mph and up to 15% more fuel than at 50mph
- **Drive smoothly at all times:** Anticipate the ebb and flow of the traffic to avoid harsh acceleration and braking

- **Reduce your revs:** Change gear earlier to help reduce fuel consumption – try 2000rpm with diesel engines
- **Idling is wasting fuel:** If you're likely to be at a standstill for more than three minutes, switch off the engine to save fuel
- **Regularly check your tyre pressures:** Under inflated tyres increase CO₂ emissions whilst incorrectly inflated

tyres can be unsafe. Always check your handbook for the correct tyre pressure. This will also help to increase the life of your tyres

- **Remove unnecessary items from the car:** Extra weight increases the engine's workload, whilst roof racks and bike carriers increase wind resistance. All burn more fuel and increase CO₂ emissions

Exterior dimensions millimetres (inches)



Off-road capabilities

Max. ground clearance
176mm (6.9 inches)

Max. wading depth
450mm (17.7 inches)

Max. approach angle **A**
20°

Max. departure angle **B**
24°

Max. ramp angle
18°

Luggage capacities (measured using the ECIE method)

	litres	cu.ft.
Rear seats up (under luggage compartment cover)	420	14.8
Rear seats folded (to upper edge of front seat back)	865	30.5
Rear seats folded (to roof)	1420	50.1

Loadspace dimensions

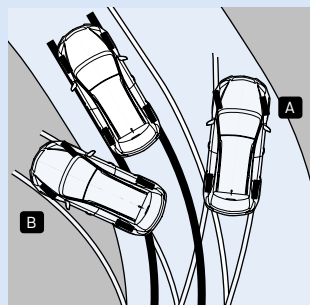
	mm	inches
Maximum length (behind rear seats)	928	36.5
Maximum length (rear seats folded)	1740	68.5
Maximum width	1320	52.0
Width between wheel arches	968	38.1
Loading height	796	31.3

Weights and towing data kg

	Gross vehicle weight	Max. towing weights Trailer with brakes (without brakes)
FWD models	2270	2000 (750)
Manual 4X4 models	2345	2000 (750)
Automatic 4X4 models	2370	1700 (750)

Gross vehicle weight is the total permissible weight of the vehicle including passengers and their luggage. The **maximum roof rack loading** should not exceed 100kg. The **maximum towing weights** are based on the ability of the car, with two occupants of 75kg each, to restart on a 12% gradient, which is approximately 1 in 8.3, at sea level. At altitudes above 1500 metres, the engine output may drop with a corresponding reduction in towing capability. Any extra weight, such as luggage or additional passengers, should be deducted from the maximum towing weight. With a trailer fully loaded, **maximum noseweight** should not exceed 80kg. Always fit Vauxhall towing attachments and accessories available from your Vauxhall retailer. They are designed specifically for Vauxhall models and carry a 12-month guarantee.

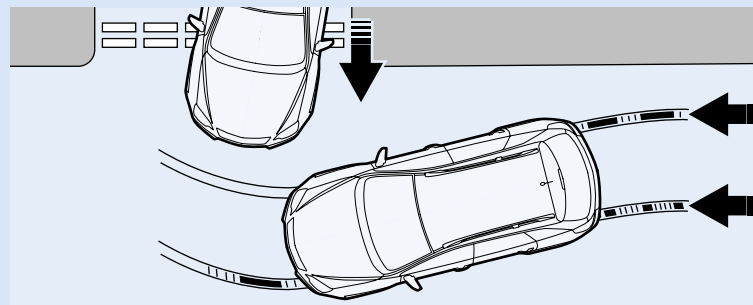
Features explained



D1. Switchable Electronic Stability Programme (ESP)

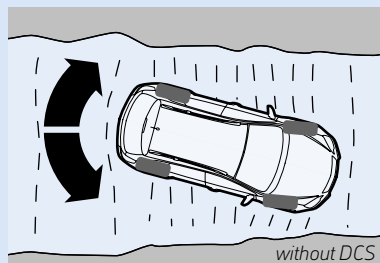
ESP helps the driver maintain full control of the vehicle during adverse or emergency conditions. ESP technology is designed to monitor both the front and rear of the car independently and compare their respective directions of travel with the driver's steering wheel input. If either the front **A** (understeer) or rear **B** (oversteer) of the vehicle begins to slide, ESP gently applies corrective braking to the appropriate individual road wheel, controlling the slide and maintaining safe progress.

A When a vehicle is understeering excessively, ESP will apply a braking force to the inside rear wheel, slowing it down and increasing the vehicle's yaw angle to help the front wheels change direction. **B** During the more unusual oversteering situation, ESP will apply the correct braking force to the outside front wheel, which will reduce the yaw angle and bring the vehicle back under control. The system fitted to Antara can be switched off for those situations where a certain amount of wheelspin is desirable in order to maintain forward or backward motion – such as on snow or especially slippery ground.

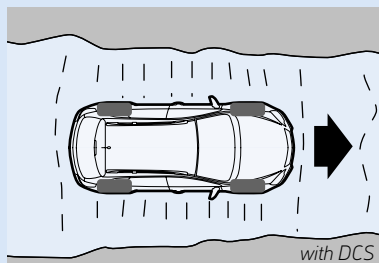


D2. Anti-lock Braking System (ABS) with cornering brake control

Cornering brake control makes the car easier to control in extreme situations, particularly when braking sharply on a bend. It is particularly effective when carrying out emergency procedures, such as avoiding a child's ball that's rolled out from the kerb. The system works by sensing the different rotational speeds of the individual road wheels and co-ordinating the level of braking pressure applied to each wheel. Cornering brake control is an integral part of Antara's comprehensive ABS.



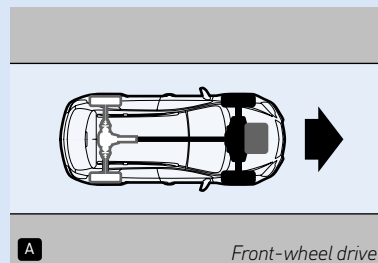
without DCS



with DCS

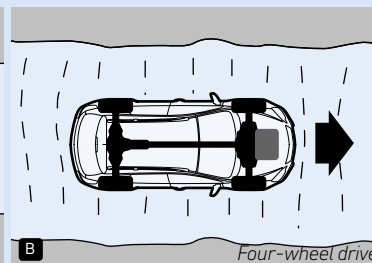
D3. Descent Control System (DCS)

DCS allows controlled descent on downward slopes without locking the wheels. Operating at speeds up to 30mph the system uses the ABS sensors to monitor wheel speed and brakes automatically without locking the wheels. On severe inclines the system also allows for a more controlled descent at a constant 6mph by braking the front wheels. This low-speed descent is activated by selecting first gear (D for automatic transmission) while stationary at the top of the slope and then allowing the vehicle to roll forward (without using the accelerator) and then activating the DCS button. The system also operates in reverse gear, though at a slightly lower speed.



A

Front-wheel drive



B

Four-wheel drive

D4. Electronically controlled four-wheel drive coupling

This electro-hydraulic coupling is at the heart of Antara's intelligent four-wheel drive system. It reacts to road conditions through inputs from the ESP, ABS and traction control sensors. Under normal conditions **A** Antara operates in front-wheel drive mode for optimum efficiency. However, as soon as the sensors indicate that four-wheel drive is necessary **B** a precise electrical charge is applied to the coupling which then delivers the correct amount of torque to the rear wheels within milliseconds. In extremely slippery conditions it enables the power to be split 50:50 between the front and rear axles for maximum traction.

Trust Vauxhall

Vauxhall Insurance

Available for new and used Vauxhalls, a Vauxhall Insurance policy offers a unique package designed specifically for Vauxhall drivers. For a highly competitive quotation, call **0844 463 2670**. Or just visit our website at www.vauxhall.co.uk

Fleet Customer Services

Our dedicated support services for fleet managers includes factory demonstrators, a three-day test drive programme and information on whole life costs, company car taxation and finance. For further information please call **0870 010 0651**.

Buying your car

GMAC offers one of the most comprehensive and competitive ranges of financing plans in the UK. Contact your local Vauxhall retailer for details or call the GMAC customer service centre on **0845 712 3444**.

Servicing and maintenance

The best way to maximise the performance and reliability of your Vauxhall is to have all routine servicing and maintenance carried out at one of around 400 Vauxhall retailers. To find your nearest retailer call **0845 600 1500**.

In the event of an accident...

Vauxhall Accident Support helps keep you mobile following an accident. Benefits include scene-of-accident advice, message service, assistance with claims and vehicle recovery. For further details call **0800 010 304**.

For more information...

For a brochure on any Vauxhall model (up to a maximum of three per caller) or location of your nearest Vauxhall retailer please call **0845 600 1500**.

Alternatively, details can be found on our website at www.vauxhall.co.uk

Join us online:



Proud Sponsor of Home Nations Football



When you have finished with this brochure please recycle it

*Vauxhall Lifetime Warranty covers lifetime ownership of first car owner, 100,000 mile limit, annual check required. The warranty excludes wear and tear and serviceable items and the vehicle must be serviced in accordance with the manufacturer's servicing schedule to continue the lifetime warranty. Terms and conditions apply. Offer available to all Vauxhall passenger cars (this offer does not apply to car-derived vans) from 1st August 2010.

Every effort has been made to ensure that the contents of this publication were accurate and up-to-date at the time of going to press (July 2011). Vauxhall vehicles are equipped with components manufactured by various General Motors operating units and outside suppliers. The Company reserves the right to alter specifications and withdraw products from sale without notice. Any such alterations will be notified to Vauxhall retailers at the earliest opportunity, please consult your local retailer for the latest information. The specifications detailed within this brochure are not necessarily applicable to alternative models such as Special Editions. Details of any such models will be contained in specific literature or found on the Vauxhall website. Please note that Vauxhall retailers are not the agents of General Motors UK Limited and are not authorised to bind the Company by any specific or implied undertaking or representation. It is advisable to ensure that your motor insurance policy provides adequate cover for additional fitted options and accessories. Please note accessories shown are for illustrative purposes only. As part of Vauxhall's policy of environmental care, this brochure is printed on paper manufactured using Elemental Chlorine Free pulps from specially farmed, sustainable timber resources. All rights reserved. No part of this publication may be reproduced in any form or by any means, without the prior written permission of General Motors UK Limited.

Vauxhall Lifetime Warranty

We're so confident in Vauxhall quality and reliability that we are now able to offer a lifetime warranty. Available to the first owner of all new Vauxhall passenger cars, it's valid for the lifetime of the vehicle up to a maximum of 100,000 miles*. In addition, our warranty also includes Vauxhall Assistance for 12 months from first registration and six years body panel anti-perforation warranty. Full details of Vauxhall's warranties including terms, conditions and exclusions can be obtained through any authorised Vauxhall retailer or go to: www.vauxhall.co.uk/warranty

LIFETIME
WARRANTY 100,000 MILE



VAUXHALL