

# Movano

2009 Edition 1

Seriously big



#### All Movano models:

Please note the following is no longer available as a factory-fit option:

Satellite navigation system/CD player/  
stereo radio with monochromatic display.

10/09

VM0908664



SATURDAYS 12-5PM

**MATCHDAY**  
**LIVE!** 

COMMERCIAL  
VEHICLES



VAUXHALL

Sponsors of talkSPORT's coverage of the Barclays Premier League

# THE WHEELS OF BUSINESS

Whatever your load, Vauxhall Commercial Vehicles are designed to help you deliver a top quality job. Our light commercial vehicle range – Corsavan, Astravan and Combo – offers gross vehicle weights from 1615kg to 1995kg, superb reliability and the lowest possible running costs.

Moving up a division, our medium and heavy vans, Vivaro and Movano, have gross vehicle weights ranging from 2735kg to 3500kg. A wide range of payload, wheelbase, roof height, door and engine configurations allow you to tailor your panel van to meet your specific operating needs. Both Vivaro and Movano offer high driver comfort, outstanding load-carrying capacity and a three-year/100,000 mile warranty. In addition, there are a variety of specialist conversions available, providing practical solutions for a host of transportation requirements (you can find out more about our Movano conversions on page 24).

Combining low operating costs with genuine concern for the environment, the green credentials of the Vauxhall line-up as a whole are now firmly established. Indeed, the company was voted *Greenfleet* magazine's LCV Manufacturer of the Year in both 2006 and 2007.

Coming right up to date, the sheer breadth of the company's product offer was a deciding factor in Vauxhall being named Van Manufacturer of the Year in the 2008 *Van FleetWorld* Honours. As the magazine's Editor was quick to point out, "(Vauxhall's) light CV coverage is complemented with Core and Recognised conversions, which makes its leading position in the market very well deserved".

With a range of over 200 variants to choose from and sales of over 53,000 units in 2007 (30,000 of which were manufactured here in the UK), you can rely on the fact that we also have a nationwide network of over 300 retailers to meet all your servicing and maintenance needs. To minimise downtime, there is a growing network of Premier Service Centres, providing a fast, efficient repair service at times to suit you. Clearly it's a formula that works – Vauxhall Commercial Vehicles really are The Wheels of Business.

*Some of the vehicles shown in this brochure include options and accessories available at extra cost. And not all of the features described are available on every model. So please check the equipment and technical data section for further details. From time to time, we also offer alternative models such as Special Editions which are featured in separate literature or can be found on the Vauxhall website: [www.vauxhall.co.uk/vans](http://www.vauxhall.co.uk/vans)*



MOVANO  
BEST PANEL VAN,  
131 CUBIC METRES  
AND ABOVE



Access 8

Loadspace 10

Efficiency 12

Engines and transmissions 16

Interior, safety and security 18

Doublecabs 22

Conversions 24

Options and accessories 28

Colours and trims 30

Equipment and technical data 32

**MOVANO**  
**SERIOUSLY**  
**BIG**



Movano is the undisputed heavyweight champion of the Vauxhall Commercial Vehicle range offering panel van payloads of up to 1647kg and loadspace volume up to 13.9 cubic metres.

It's incredibly versatile too, with panel vans in three load lengths, GVWs and roof heights, plus a wide choice of chassis cab, crew cab and specialist body conversions, allowing tailored solutions for a wide variety of commercial applications. Movano is equally adept as a passenger-carrying conversion, with six and nine-seat Combi models – in short and medium wheelbase formats – alongside 15, 16 and 17-seat Minibuses.

Movano features modern styling, a comfortable, practical cabin environment and high levels of safety and security. It also offers a host of interior stowage features, including handy double overhead storage racks and a facia-mounted storage pocket.

Movano's 2.5CDTI 16v engine is fully Euro 4 compliant and is available in a choice of three distinct power outputs: 100PS, 120PS or 146PS. All of these engines are matched to a six-speed manual gearbox and most models can also be specified with innovative six-speed Tecshift transmission. See page 14 for more Tecshift details.

Add a huge reputation for easy load access, low operating costs, a three-year/100,000 mile warranty, and a comprehensive one-year roadside assistance package and you can see why the Movano means business in so many ways.



*Medium wheelbase, high roof vehicles illustrated feature optional offside sliding side-access doors, full-height steel bulkheads with window and 270° opening unglazed rear doors. Optional plywood lining may differ from that illustrated.*



Payload  
964-1647kg  
(panel vans)



Loadspace volume  
8.0-13.9m<sup>3</sup>  
(SAE method)



Max. load  
floor length



Max. load  
floor length



Max. load  
floor length



18,000 mile/1-year  
service intervals



3-year/100,000 mile  
warranty



## ACCESS

- | Nearside sliding side-access door
- | Offside sliding side-access door (optional)
- | Full-height steel load restraint mesh behind driver
- | Unglazed rear doors open to 180° and lock in place at 90°
- | 270° opening glazed or unglazed rear doors (optional on MWB/LWB models only)
- | Glazed rear doors (optional)
- | Half-height sidewall protection panelling (optional)
- | Height-adjustable pneumatic rear suspension (optional)





Movano boasts superb access to its cavernous cargo space. The standard nearside sliding side-access door, for instance, is not just tall, but wide enough to accommodate a Euro pallet, making for easy forklift loading. The rear doors, available with or without rear windows, swing clear to 180° and on medium and long wheelbase models there is the option of 270° opening doors. Movano also has a low loading height, a long load floor and exceptional headroom. For even easier loading and unloading, as well as improved ride comfort, height-adjustable pneumatic rear suspension can be specified.

*Medium wheelbase high roof model illustrated on these pages, features optional offside sliding side-access door.*



▲ The sliding side-access doors can accommodate a standard Euro pallet.

▶ Movano's front-wheel drive configuration helps create an incredibly low loading height.





Whether you choose the short, medium or long wheelbase panel van, with standard, high or maxi roof, Movano offers exceptional load area dimensions for its class, with up to 13.9 cubic metres of available loadspace. Furthermore, the wide Movano model range includes a choice of 2.8, 3.3 or 3.5 tonne gross vehicle weights, each of which translates to very impressive load capacities.



**Loadspace volume**  
**8.0-13.9m<sup>3</sup>**  
**(SAE method)**

LOADSPACE DIMENSIONS*	mm	inches
Max. rear door aperture heights	1632-1874	64.3-73.8
Rear door aperture width (at floor)	1515	59.6
Maximum load area heights	1670-2146	65.7-84.5
Maximum load area width	1764	69.4
Width between wheel arches	1282	50.5
Maximum load floor lengths	2714-3714	106.9-146.2
Loading heights (unladen)	536-543	21.1-21.4
Sliding side-access door aperture heights	1555-1800	61.2-70.9
Sliding side-access door aperture width	1099	43.3

LOADSPACE VOLUME	cu.m	cu.ft
Maximum loadspace volumes (SAE method)	8.0-13.9	282-491

\*Please refer to pages 38-47 of the technical data section for more detailed loadspace, weight and towing data.

*Long wheelbase maxi roof model illustrated features optional 270° opening unglazed rear doors and full-height steel bulkhead without window.*



## LOADSPACE

With payloads from 964kg to 1647kg, the Movano panel van offers incredible versatility, allowing you to match your van's capacity to your real business needs. To keep loads secure during transit, Movano offers between eight and ten lashing eyes built into the load floor and additional anchorage points on the side wall.

**EFFICIENCY**

**3-YEAR / 100,000**

**MILE WARRANTY**





With Movano, the concept of efficiency begins first and foremost with the driver. To start with, Movano is surprisingly comfortable and easy to live with for such a large vehicle, thanks to excellent visibility and superb ergonomics throughout. Indeed, with its smooth-shifting, facia-mounted six-speed manual gearbox – or Tecshift transmission (optional on most models) – you might be forgiven for forgetting you're driving a van at all! The power-assisted steering system adds to the smoothness of the drive, providing high levels of precision combined with minimum effort and a reassuring degree of control at higher speeds. All of which means less fatigue and better operating efficiency for the driver.

From a mechanical perspective, drivers will appreciate the efficiency and flexibility of its three Euro 4 common rail turbo diesel engines. Operators will particularly value Movano's excellent fuel economy, low service costs and one year's Vauxhall Assistance. Service intervals are 18,000 mile/one-year. Keeping downtime to a minimum, all models feature a 100-litre fuel tank, giving Movano a potential range of well beyond 600 miles.

◀ Standard equipment includes a CD player/stereo radio.

*Medium wheelbase high roof model illustrated features optional 270° opening rear doors with delete nearside sliding side-access door option.*



◀ All Movanos feature a six-speed manual gearbox as standard.

▶ The six-speed Tecshift transmission is optional on most models in the Movano range.





## EFFICIENCY

- | One-year unlimited mileage Vauxhall Assistance
- | One-year unlimited mileage manufacturer's warranty
- | Second and third year no-fee customer option warranty up to 100,000 miles
- | 18,000 mile/one-year service intervals
- | 100-litre fuel tank
- | Six-year body panel anti-perforation warranty
- | Trip computer (optional)



18,000 mile/1-year  
service intervals



3-year/100,000 mile  
warranty



## POWER

- | Choice of three common rail turbo diesel engines: 2.5CDTI 16v (100PS/260Nm), 2.5CDTI 16v (120PS/300Nm) and 2.5CDTI 16v (146PS/320Nm)
- | Six-speed manual gearbox | Six-speed Tecshift transmission (optional on most models – see equipment section for details) | Tachograph (optional)\*
- | Hydraulic clutch control | Power-assisted steering | Front-wheel drive | Engine-driven power take-off (optional)

\*Requires calibration, please see note on page 33.



At the heart of every Movano lies a tough, front-wheel drive chassis with independent front suspension, all-round disc brakes and a choice of three enhanced common rail turbo diesel engines.

All three 2.5CDTI engines are Euro 4 compliant, the entry level engine produces 100PS/260Nm, next is the 120PS/300Nm version. Top performer in the line-up is the powerful 146PS unit which delivers peak torque of 320Nm.

Movano engines are engineered for performance, ease of serviceability and long-term efficiency. All come equipped with a six-speed manual gearbox, allowing more flexibility to maximise fuel economy.

Tecshift semi-automatic transmission can also be specified with all three engines. Combining the main features of a regular automatic with the control of a 'one-touch' manual gearbox, Tecshift also offers variable settings to adjust for vehicle loads. In manual mode, gears are shifted sequentially by pushing the lever forwards or pulling it back. Automatic clutch control means there is no need for a clutch pedal. For added convenience, drivers may switch between modes on the move using the gearshift selector.



6-speed gearbox



Optional 6-speed Tecshift transmission



Medium wheelbase maxi roof model illustrated features optional single passenger seat, full-height steel bulkhead without window and two-coat metallic paint.



**RELAXED**  
**AND SECURE**

### INTERIOR

The practical Movano interior, with its attractive fascia, door panels and trim, plus a stereo radio/CD player as standard, provides everything you need for a long day at the wheel.

The spacious cab has ample room for up to three occupants, and its fascia-mounted gear lever provides easy cross-cab access. A comprehensive choice of passengers' seats extends from the standard dual bench seat up to a fully-adjustable single passenger 'comfort' seat.

### SAFETY

Movano safety equipment is equally impressive: a driver's airbag and pyrotechnic body-lock seatbelt pretensioner are standard across the line-up, as is an Anti-lock Braking System (ABS) complete with Electronic Brakeforce Distribution (EBD) and Emergency Brake Assist (EBA). Front passengers' twin airbag and pyrotechnic body-lock seatbelt pretensioners are optional at extra cost (where applicable).

Most models can now be specified with optional Electronic Stability Programme-plus (ESP-plus). The system applies corrective braking to the appropriate rear wheel to correct any tendency to understeer; in oversteer situations, it automatically applies the brake to the appropriate front wheel. Because a commercial vehicle is also faced with significant weight and load issues which can influence handling through changes in the centre of gravity, Movano's ESP system also incorporates a load sensor that adjusts the intensity of the braking effort to suit the demands of the payload.

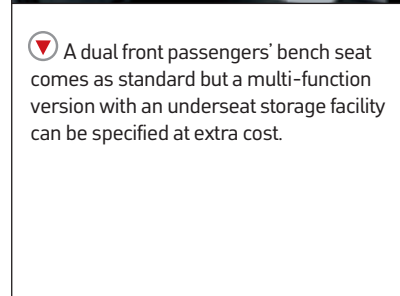
At the front end, both the front bumper, and the innovative 'crashbox' beneath it, have been designed to limit damage from frontal impacts. An optional rear parking distance sensor is also available.

### SECURITY

Movano is packed with security features designed to protect your investment and keep load area contents safe and secure. Standard features include not only an engine deadlock immobiliser, unglazed rear doors and remote central locking, but an automatic door security system that locks all of the van's doors at speeds over 4mph. The optional remote control ultrasonic security alarm system offers even more peace of mind. Whilst selective door locking is also available as an option, allowing access to the cab with the load area remaining locked and vice versa.



◀ The comfortable eight-way adjustable driver's seat also has a built-in armrest.



◀ A dual front passengers' bench seat comes as standard but a multi-function version with an underseat storage facility can be specified at extra cost.



# INTERIOR

- | Eight-way adjustable driver's seat with armrest
- | Single passenger's seat (no-cost option)
- | Multi-function front passengers' bench seat with underseat storage facility (optional)
- | CD player/stereo radio
- | Satellite navigation system/CD player with stereo radio (optional)
- | Twin overhead storage racks
- | Overhead storage shelf (high and maxi roof models)
- | Facia-mounted storage pocket

▶ Model illustrated features Tecshift transmission, Electric Pack and single fully-adjustable 'comfort' front passenger's seat with armrest, all optional at extra cost.



▲ All Movanos feature generous storage facilities with twin overhead storage racks and a facia-mounted storage pocket providing space for an A4 clipboard or a one-litre bottle. Both features help keep personal items safely in place when you're on the move.

# SAFETY AND SECURITY

- | Driver's airbag
- | Front passengers' twin airbag and pyrotechnic body-lock seatbelt pretensioners (optional)
- | Emergency Brake Assist (EBA)
- | ABS with EBD
- | Electronic Stability Programme-plus (ESP-plus) (optional)
- | All-round disc brakes
- | Remote control ultrasonic security alarm system (optional)
- | Full-height steel load restraint mesh behind driver
- | Full-height steel bulkhead with or without window (optional)



## DOUBLECABS

- | Choice of three common rail turbo diesel engines: 2.5CDTI 16v (100PS/260Nm), 2.5CDTI 16v (120PS/300Nm) and 2.5CDTI 16v (146PS/320Nm)
- | Choice of medium or long wheelbase configurations
- | Six inertia-reel lap and diagonal seatbelts
- | Full-height integral ABS plastic bulkhead with window
- | Nearside sliding side-access door
- | Unglazed rear doors (90°/180° opening)
- | Glazed rear doors (90°/180° opening) (optional)
- | Dual passengers' front bench seat
- | Three-passenger rear bench seat

Providing practical and comfortable crew transport, the Movano Doublecabs match six seater capacity with great loadspace (up to 8.9 cubic metres) and high payloads (up to 1496kg). Additional loadspace under the rear bulkhead extends the load area length allowing practical storage for longer items like ladders.

Movano Doublecab comes in medium and long wheelbase high roof versions. Both models feature a contoured rear bench seat for three passengers – all with height-adjustable head restraints and lap and diagonal seatbelts. A nearside sliding side-access door ensures easy passenger access.

The high-strength ABS plastic bulkhead on all versions has an integral window for excellent visibility through to the optional glazed rear loading doors.

*Movano Doublecab LWB high roof model shown features optional 270° opening unglazed rear doors.*



LOADSPACE DIMENSIONS*	mm	inches
Maximum rear door aperture height	1874	73.8
Maximum rear door aperture width (at floor)	1515	59.6
Maximum load area height	1912	75.3
Maximum load area width	1764	69.4
Width between wheel arches	1282	50.5
Maximum load length at load floor	2730-3230	107.5-127.2
Maximum load length behind rear seats	2160-2660	85.0-104.7
Loading heights (unladen)	537-540	21.1-21.2
Sliding side-access door aperture height	1800	70.9
Sliding side-access door aperture width	1099	43.3

LOADSPACE VOLUME	cu.m	cu.ft
Maximum loadspace volumes (SAE method)	6.5-8.9	229-314

\*Please refer to pages 38-47 of the technical data section for more detailed loadspace, weight and towing data.



6 seats



Doublecab loadspace  
volume 6.5-8.9m<sup>3</sup>





**CONVERSIONS**



# VAUXHALL CONVERSIONS

**Base vehicles:** MWB chassis cab | LWB chassis cab | LWB crew cab

**Core conversions:** Tippers | Lutons | Dropsides | Passenger carriers – Minibuses and Combi

**Recognised conversions:** Temperature controlled vehicles | Lutons | Refuse collectors | Vehicle-mounted access platforms

◀ Left: Vauxhall's comprehensive range of tipper and dropside Movano conversions.

Separate brochures are available for Vauxhall core and recognised conversions. Please ask your Vauxhall Commercial Vehicle retailer for a full list and further details.



◀ Temperature controlled vehicle.



▲ Tipper conversion with refuse hood and side bin lift.

▼ Luton core conversion.

▶ Movano is available in a variety of Minibus and Combi configurations, some are fully factory prepared, whilst others are part of our recognised conversion range. Please ask your retailer for a copy of our Passenger Carrier Brochure.



▲ Crew cab cage tipper conversion.



While the Vauxhall panel van range covers a wide spectrum of operator needs, some operators demand individual solutions. So Vauxhall Commercial Vehicles offer a variety of conversions for Movano models.

With reinforced rear suspension, a choice of common rail turbocharged diesel engines and two wheelbase formats, Movano chassis and crew cabs are the ideal foundation for specialist bodybuilder conversions.

The long wheelbase Movano crew cab tipper, is the perfect example, providing a tough 2880mm long tipper body plus interior space for up to seven occupants. Movano panel vans also provide an excellent basis for conversions, particularly for passenger transport, where the stylish Combi offers versatile carrying options and a choice of minibuses provides spacious transport for up to 17 people.

Specification, dimensions, weights and towing data for Movano chassis cab and crew cab base vehicles can be found in the technical data section.

# OPTIONS AND ACCESSORIES


Vauxhall options and accessories are all about choice – selecting your new Movano then personalising it to suit the way you work. Whatever you need, we've made it easier with a choice of factory-fitted options, three special option packs and a huge range of retailer-fit accessories available at highly attractive prices. For further information please ask your Vauxhall Commercial Vehicle retailer for more details.

Please note the following is no longer available as a factory-fit option:

Satellite navigation system/CD player/  
stereo radio with monochromatic display.

10/09

VM0908664

 Satellite navigation system with CD player/stereo radio.

## OPTION PACKS

### Technical Pack

- > Cruise control with driver controllable speed limiter
- > Trip computer

### Electric Pack

- > Electrically operated front windows
- > Electrically adjustable/heated door mirrors

### Convenience Pack

- > Third key
- > Selective door locking

*SWB standard roof model illustrated features accessory steel loading ladder, walkway and roof rack.*

## INDIVIDUAL OPTIONS INCLUDE:

- > Electronic Stability Programme-plus (ESP-plus)
- > Digital tachograph
- > Tecshift six-speed transmission
- > Full-height steel bulkhead
- > Rear parking distance sensors
- > Rain-sensitive windscreen wipers and Automatic Lighting Control (ALC)
- > Satellite navigation system with CD player/stereo radio
- > Selective door locking (only available in conjunction with Electric Pack)

 Electrically operated front windows.



## ACCESSORIES

Vauxhall accessories are the right choice for your Movano, allowing you to tailor your van to your individual needs; all fitted by trained Vauxhall professionals. The list below is just a small sample of the range available. For a full list, please refer to the Vauxhall Commercial Vehicle Accessories brochure or visit our website: [www.vauxhall-accessories.com](http://www.vauxhall-accessories.com)

### Load Carriers

- > Base carrier
- > Steel roof rack
- > Steel loading ladder
- > Steel walkway

### Towing

- > Flange tow bar with 12N electrics
- > Jaw and pin coupling

### Interior – Load Area

- > Anti-slip mat (915mm x 915mm)

### Interior – Cabin Area

- > Rubber floor mat
- > Carpet floor mat

### Exterior

- > Mudflaps
- > Rear parking distance sensor

### Safety Pack

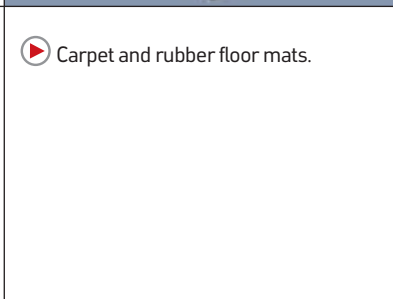
- > First aid kit
- > Warning triangle
- > Hi-visibility vest

### Security

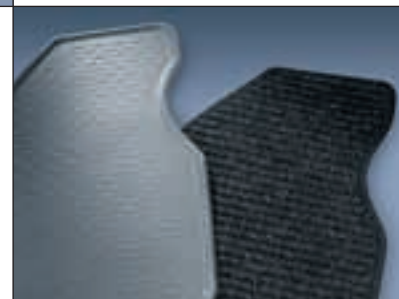
- > MetaSystem alarm
- > Steering wheel security bar
- > Rear door window grilles



- ◀ Flange tow bar with jaw and pin coupling.



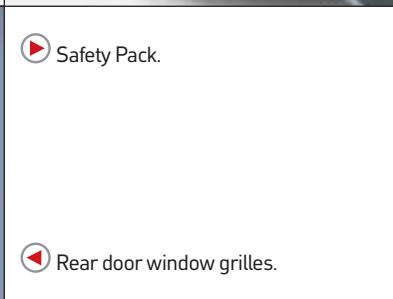
- ▶ Carpet and rubber floor mats.



- ◀ Mudflaps\*.



*\*Vivaro version illustrated.*



- ▶ Safety Pack.

- ◀ Rear door window grilles.



SOLID



Arctic White



Cobalt Blue



Ink Blue



Mandarin Orange



Moss Green



North Sea Blue



Poppy Red



Saffron Yellow

TWO-COAT METALLIC



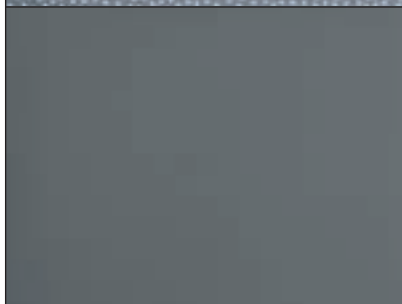
Alabaster Silver



Sage

# COLOURS AND TRIMS

▼ Top: New Orleans cloth.  
Bottom: Vinyl.



*Due to the limitations of the printing process the colours reproduced may vary from the actual colour. As a result they should be used as a guide only.*

*All Vauxhall Commercial Vehicle retailers have a comprehensive showroom colour display, with actual exterior paint samples available for inspection.*

*Please note: Certain alternative colours are available for special order on Movano. Restrictions apply so please consult your Commercial Vehicle retailer for more details.*

	Trim
<b>Exterior colours</b>	Grey New Orleans cloth*
<b>Solid</b>	
Arctic White	●
Cobalt Blue	●
Ink Blue	●
Mandarin Orange	●
Moss Green	●
North Sea Blue	●
Poppy Red	●
Saffron Yellow	●
<b>Two-coat metallic</b>	
Alabaster Silver	○
Sage	○

- = Available at no cost
- = Available at extra cost
- \* Grey vinyl seat trim is optional at no extra cost

*Please note: Movano Luton Core Conversion is only available in Arctic White.*

*Single passenger's seat illustrated is available as a no-cost option.*



## Contents

### Equipment

Safety	32
Security	
Facia, instruments and controls	
Seating	
Interior features	33
Mechanical	
Exterior features	
Load area (panel van)	34
Wheels and tyres	
Option packs	35
Audio and navigation	
<b>Technical data</b>	
Power and torque curves	36
Engines and transmission ratios	
Vauxhall Assistance and warranties, transmissions, steering, suspension, brakes, fuel tank capacity and insurance groups	37
<b>Dimensions and weights</b>	
SWB panel van: Exterior/interior dimensions, loadspace volumes, ground clearance, weights and towing data	38
MWB panel van/doublecab: Exterior/interior dimensions, loadspace volumes, ground clearance, weights and towing data	40
LWB panel van/doublecab: Exterior/interior dimensions, loadspace volumes, ground clearance, weights and towing data	42
Chassis cab: Exterior dimensions, recommended conversion dimensions, weights and towing data	44
Crew cab: Exterior dimensions, recommended conversion dimensions, weights and towing data	46
Glossary of terms	47

## Safety

**Standard features** • Driver's airbag and pyrotechnic body-lock seatbelt pretensioner • Anti-lock Braking System (ABS) with Electronic Brakeforce Distribution (EBD) • Emergency Brake Assist (EBA) – Increases applied brake force in emergency braking situations • Height-adjustable padded head restraints • Inertia-reel lap and diagonal seatbelts (centre rear lap belts – crew cab) • Height-adjustable outer front seatbelts • Anti-submarining ramps in seats – Help prevent occupants sliding underneath the lap belt during a collision • Laminated windscreen • Crash protection box behind front bumper

### Additional features

	Panel van	Doublecab	Chassis cab	Crew cab
Front passengers' twin airbag and pyrotechnic body-lock seatbelt pretensioners <sup>1</sup>	○	○	○	○
Electronic Stability Programme-plus (ESP-plus) with traction control <sup>2</sup>	○	○		

## Security

**Standard features** • Remote control central locking with internal switch • Automatic door locking • Electronic engine deadlock immobiliser • Steering column lock • Freewheeling door and steering lock cylinders • Locking fuel filler cap

### Additional features

	Panel van	Doublecab	Chassis cab	Crew cab
Remote control ultrasonic security alarm system	○	○	○	○
Selective door locking <sup>3</sup>	○			
Third key	□			

## Facia, instruments and controls

**Standard features** • Facia-mounted gear lever • Trip odometer • Rev counter • Coolant temperature gauge • Fuel gauge with low fuel level warning light • Engine oil level indicator • Warning lights for low brake fluid, engine temperature and fuel filter • Cigar lighter/accessory socket • Digital clock • Lidded glovebox • Facia-mounted document clip • Document storage pocket with drink holder • Facia-mounted drinks holders

### Additional features

	Panel van	Doublecab	Chassis cab	Crew cab
Digital tachograph <sup>4</sup>	○	○	○	○
Trip computer	○	○	○	○
Cruise control (not available when the speed limiter option is specified)	□	□	□	□

## Seating

**Standard features** • New Orleans cloth seat trim • Driver's seat adjustable for height, cushion angle, reach and rake • Driver's seat armrest • Dual front passengers' bench seat • Dual front passengers' bench seat underseat storage tray

### Additional features

	Panel van	Doublecab	Chassis cab	Crew cab
Vinyl seat trim <sup>5</sup>	N/C	N/C	N/C	N/C
Multi-function front passengers' bench seat with underseat storage facility <sup>5</sup>	○	○	○	○
Single front passenger seat <sup>1</sup>	N/C	N/C	N/C	
Single front fully adjustable 'comfort' passenger seat with armrest <sup>5</sup>	○	○	○	
Four-passenger rear bench seat with underseat storage facility				●
Three-passenger rear bench seat		●		



## Interior features

**Standard features** • Vinyl floor covering in cabin area • Twin sunvisors • Twin passenger assist handles (one only with single passenger seat) • Air blend heater with four-speed fan • Four adjustable face-level heating and ventilation outlets • Windscreen and front side-window demist vents • Air recirculation system • Twin overhead storage racks • Overhead storage shelf (high roof/maxi roof only) • Fade down cabin area courtesy light • Adjustable map reading light • Driver's and passenger's door armrests • Driver's and front passenger's door pockets with bottle holder

Additional features	Panel van	Doublecab	Chassis cab	Crew cab
Air conditioning and full-height steel bulkhead without window <sup>6</sup>	○			
Air conditioning and full-height steel bulkhead with window <sup>6</sup>	○			
Air conditioning <sup>6</sup>		○	○	○

## Mechanical

**Standard features** • Six-speed manual gearbox • Power-assisted steering

Additional features	Panel van	Doublecab	Chassis cab	Crew cab
Engine-driven power take-off (not available on Tecshift models) <sup>6</sup>	○	○	○	○
Six-pin connector in battery compartment	○	○	○	○
Speed limiter (choice of three: 56mph, 62mph or 68mph. Not available when the Technical Pack is specified)	○	○	○	○
Height-adjustable pneumatic rear suspension <sup>2</sup>	○	○	○	○
Reinforced rear suspension (standard on 2800 models)	○	○	●	●
Steel engine underguard	○	○	○	○
Tow bar (includes reinforced rear suspension)	○ <sup>7</sup>	○ <sup>7</sup>	○	○
Tecshift six-speed transmission with sequential manual gearshift and automatic mode <sup>2</sup>	○	○	○	○
CANbus interface	○	○	○	○

## Exterior features

**Standard features** • Two-speed windscreen wipers with intermittent wipe and electric screenwash • Lights-on audible warning • Electric headlight beam levelling • Twin adjustable and foldable door mirrors (wide-angle on driver's side) • Extended mirror arms (chassis cab/crew cab) • High-level brake light (panel van) • Twin reversing lights • Rear fog light • Body side-protection mouldings (doors only – chassis cab/crew cab)

Additional features	Panel van	Doublecab	Chassis cab	Crew cab
Rear parking distance sensors <sup>7</sup>	○	○		
Electrically operated front windows	□	□	□	□
Electrically adjustable/heated door mirrors	□	□	□	□
Rain-sensitive windscreen wipers and Automatic Lighting Control (ALC) <sup>3,8</sup>	○	○	○	○
Two-coat metallic paint	○	○	○	○
Special paint (restrictions apply – please consult your retailer for availability)	○	○	○	○



Overhead storage shelf (high roof/maxi roof only).

- = Standard equipment.
- = Optional at extra cost.
- N/C = No-cost option.
- = Only available as part of an option pack (see page 35 for details).

- 1 = Front passengers' twin airbag is not available when the single front passenger seat option is specified.
- 2 = Electronic Stability Programme-plus (ESP-plus) is not available in conjunction with height-adjustable pneumatic rear suspension or Tecshift transmission.
- 3 = Only available in conjunction with Electric Pack.
- 4 = The digital tachograph option must be specified at time of ordering as it cannot be fitted retrospectively and does not include calibration which must be carried out at an approved tachograph centre within 14 days of the vehicles registration. **Please note:** The legislation regarding the use of tachographs is complex and operators should seek independent advice or speak to the CV specialist within a Vauxhall Commercial Vehicle retailer to ensure compliance. Alternatively your local DVLA office will also be able to provide clarification of the relevant legislation.
- 5 = Vinyl seat trim is not available in conjunction with multi-function front passengers' bench seat or single front fully adjustable 'comfort' passenger seat option.
- 6 = Air conditioning is not available in conjunction with engine-driven power take-off.
- 7 = Tow bar with reinforced rear suspension is not available when the rear parking distance sensors are specified.
- 8 = Only available in conjunction with trip computer. Includes electrically operated front windows with one-touch facility.



Full-height steel load restraint mesh behind driver.

## Load area (panel van)

**Standard features** • Nearside sliding side-access door • Illuminated load area • Load restraint lashing eyes (SWB/MWB – eight, LWB – ten) • Internal lockable rear and sliding side-access doors • Unglazed rear doors (90°/180° opening)

<b>Additional features</b>	Panel van	Doublecab	Chassis cab	Crew cab
Full-height steel load restraint mesh behind driver	●			
Full-height steel bulkhead without window	○			
Full-height steel bulkhead with window	○			
Full-height ABS plastic bulkhead with window		●		
Fixed windows in nearside sliding side-access door and opposite panel	○	●		
Fixed windows in nearside and optional offside sliding side-access doors	○			
Sliding windows in nearside side-access door and opposite panel		○		
Offside sliding side-access door <sup>9</sup>	○			
Delete standard nearside sliding side-access door <sup>9,10</sup>	N/C			
Glazed rear doors (90°/180° opening) with dipping rear-view mirror	○	○		
Glazed rear doors (90°/180° opening) with dipping rear-view mirror and heated windows	○	○		
270° opening unglazed rear doors (not available on SWB models)	○	○		
270° opening glazed rear doors with dipping rear-view mirror (not available on SWB models)	○	○		
Resin-coated wooden load floor covering <sup>11</sup>	○			
Half-height protection panelling	○			
Full-height load area plywood lining with anti-slip flooring and wheel arch protection <sup>11</sup>	○			
Glazed van pack (includes glazed upper side panels and rear doors) <sup>12</sup>	○			
Tilting glass sunroof for load area (not available on maxi roof models)	○			○

- = Standard equipment.
- = Optional at extra cost.
- N/C = No-cost option.

- 3 = Only available in conjunction with Electric Pack.
- 9 = Offside sliding side-access door is not available when the delete standard nearside sliding side-access door or glazed van pack options are specified.
- 10 = Deletion of standard nearside sliding side-access door is not available when the glazed van pack or glazed rear door options are specified.
- 11 = Resin-coated wooden load floor covering or half-height protection panelling are not available when the full-height load area plywood lining with anti-slip flooring and wheel arch protection option is specified.
- 12 = Glazed van pack is not available when delete standard nearside sliding side-access door, offside sliding side-access door, half-height protection panelling or full-height plywood lining options are specified.
- 13 = Only available in conjunction with trip computer.

## Wheels and tyres

**Standard features** • 6J x 16 steel wheels with wheel centre covers • Full-size spare wheel

<b>Additional features</b>	Panel van	Doublecab	Chassis cab	Crew cab
215/65 R 16 tyres – 2800 and 3300 models	●			
225/65 R 16 tyres – 3500 models	●	●	●	●
Tyre inflation kit in lieu of spare wheel	N/C	N/C	N/C	N/C

## Option packs

	Panel van	Doublecab	Chassis cab	Crew cab
<b>Electric Pack</b> • Electrically operated front windows • Electrically adjustable/heated door mirrors	○	○	○	○
<b>Technical Pack</b> • Cruise control with driver controllable speed limiter • Trip computer (not available when the individual speed limiter option is specified)	○	○	○	○
<b>Convenience Pack</b> <sup>3,13</sup> • Selective door locking • Third key	○			

## Audio and navigation

Features	Panel van	Doublecab	Chassis cab	Crew cab
<b>CD player/stereo radio</b> • CD player • MW/FM/LW radio • RDS with Traffic Programme • 35 watts per channel • Two speakers	●	●	●	●
<b>Cassette player/stereo radio</b> • Cassette player • MW/FM/LW radio • RDS with Traffic Programme • 20 watts per channel • Two speakers	N/C	N/C	N/C	N/C
<b>Satellite navigation/CD player</b> • Satellite navigation system • CD player • MW/FM/LW radio • RDS with Traffic Programme • 40 watts per channel • Two speakers	○	○	○	○
Roof-mounted flexible aerial	●	●	●	●



Electrically operated front windows and electrically/adjustable heated door mirrors (optional).

### Navigation

The satellite navigation/CD player/radio unit uses the international network of GPS (Global Positioning System) satellites linked to a comprehensive CD-ROM mapping system to determine your precise location and guide you to your chosen destination virtually anywhere in mainland Britain. Despite its technical sophistication, the system is very simple to operate, using a range of menu-driven options. Clearly spoken instructions indicate the road you need to take or the lane you need to be in, both well in advance and again when the manoeuvre is due. Directional pictograms, clearly shown on the monochromatic display screen, back up the spoken commands.

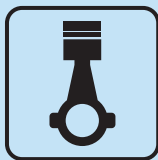
### Standard features

- Automatic re-routing on request
- Display of estimated time remaining and distance to destination
- Exact location of vehicle using the GPS (Global Positioning System) and speed sensor
- Choice of four different route types – Using motorways, avoiding motorways, shortest distance, shortest journey time
- Store up to 200 personal destinations
- 'Points of Interest' menu offers a wide choice of popular destinations
- Last 20 destinations stored automatically
- CD-ROMs containing road map software and travel guide information

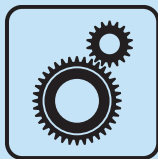
## All Movano models:

Please note the following is no longer available as a factory-fit option:

Satellite navigation system/CD player/stereo radio with monochromatic display.

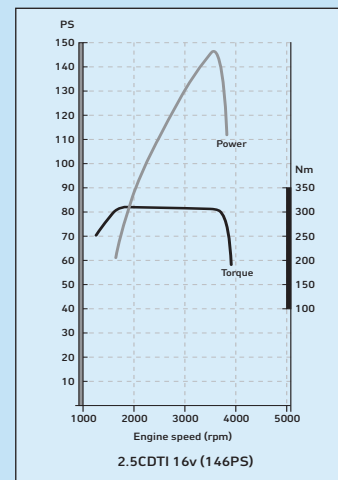
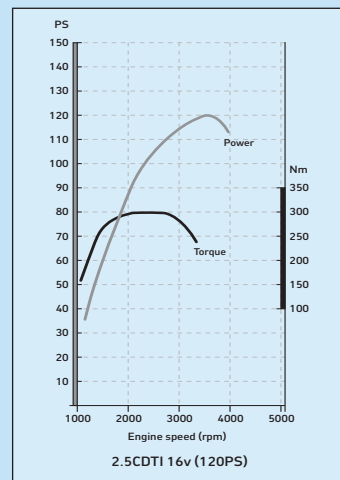
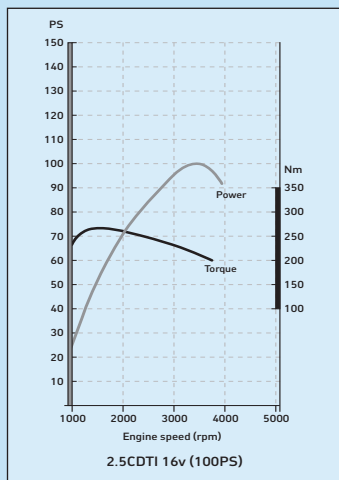


**100/120/  
146PS**  
2.5CDTI 16v  
engines



**Tecshift**  
Six-speed  
transmission  
optional on  
most models

## Power and torque curves



## Engines

	2.5CDTI 16v (100PS)	2.5CDTI 16v (120PS)	2.5CDTI 16v (146PS)
Fuel type	Diesel		
Capacity	2464cc		
Maximum power	100PS (74kW) @ 3500rpm	120PS (88kW) @ 3500rpm	146PS (107kW) @ 3500rpm
Maximum torque	260Nm (192 lb.ft.) @ 1600rpm	300Nm (221 lb.ft.) @ 1600rpm	320Nm (236 lb.ft.) @ 1500rpm
Configuration	4 cylinders, 4 valves per cylinder, double overhead camshafts		
Emission compliance	Euro 4		
Fuel/induction system	Fixed geometry turbocharger and intercooler. Common rail fuel injection		Variable geometry turbocharger and intercooler. Common rail fuel injection
Service interval	18,000 miles or one-year (whichever occurs sooner)		

## Transmission ratios

	Gear ratios (mph/1000rpm)						Reverse	Final drive ratio
	1	2	3	4	5	6		
2800 2.5CDTI 16v	4.18:1 (4.2)	2.24:1 (7.8)	1.38:1 (12.6)	0.97:1 (18.0)	0.76:1 (23.2)	0.64:1 (27.5)	3.89:1	4.44:1
3300 2.5CDTI 16v	4.18:1 (4.4)	2.24:1 (8.1)	1.38:1 (13.2)	0.97:1 (18.8)	0.76:1 (24.0)	0.64:1 (28.5)	3.89:1	4.44:1
3500 2.5CDTI 16v	4.18:1 (4.4)	2.24:1 (8.3)	1.38:1 (13.5)	0.97:1 (19.1)	0.76:1 (24.4)	0.64:1 (29.0)	3.89:1	4.44:1

## Vauxhall Assistance and warranties\*

Every Movano base vehicle comes with:

- A one-year unlimited mileage manufacturer's warranty
- Second and third year no-fee customer option warranty up to 100,000 miles from date of first registration
- Vauxhall Assistance for 12 months from date of first registration
- Six-year body panel anti-perforation warranty

\* = Warranty is only available on vehicles sourced from Vauxhall Motors Ltd. Terms and conditions apply – please see your Vauxhall Commercial Vehicle retailer for details.

## Transmissions

- Front-wheel drive
- Six-speed manual gearbox
- Six-speed Tecshift transmission – available at extra cost. Tecshift hydraulic transmission offers all the main features and flexibility of a regular automatic, plus the performance and control of a 'one-touch' manual gearbox. In manual mode the driver changes gear sequentially by pushing the lever forward (higher gear) or pulling it backwards (lower gear), with automatic-style 'kickdown' through two or more gears also possible in manual mode. In addition, the Tecshift transmission offers variable settings to adjust for vehicle loading. Automatic clutch control means there is no need for a clutch pedal

## Steering

- Power-assisted rack and pinion system
- Turning circles (kerb-to-kerb/wall-to-wall):  
SWB – 12.07m (39.6ft)/12.48m (40.9ft)  
MWB – 13.75m (45.1ft)/14.11m (46.3ft)  
LWB – 15.20m (49.9ft)/15.68m (51.4ft)
- Turns lock-to-lock: 3.6

## Suspension

**Front:** Independent double wishbones with coil springs and telescopic dampers. Anti-roll bar on 3300/3500 models.

**Rear:** Tubular axle with variable-rate single leaf springs (steel on 2800 panel vans, chassis and crew cabs, composite on 3300/3500 panel vans) and telescopic dampers. Anti-roll bar on 3500 LWB vans and all chassis cab models. Reinforced rear suspension (does not increase axle load rating) standard on 2800 GVW panel van, chassis and crew cab models, optional at extra cost on 3300 and 3500 GVW panel vans. Height-adjustable pneumatic suspension optional at extra cost.

## Brakes

- Four-channel Anti-lock Braking System (ABS) with Electronic Brakeforce Distribution (EBD)
- Emergency Brake Assist (EBA)
- Vacuum servo-assisted system
- Dual circuit with secondary system acting on front brakes only

- Low brake fluid level warning light
- Floor-mounted parking brake lever

### Front ventilated disc brakes:

305mm diameter.

### Rear disc brakes:

305mm diameter.

## Electrics

**Maintenance-free battery:** 95Ah.

**Alternator:** 150A.

## Body

- Six-year body panel anti-perforation warranty
- Galvanised body panels
- Anti stone-chip mastic coating on sills
- Individually removable lower body panels
- Flush-fitted windscreen and rear door glass (when specified)
- Flat-topped box section, chassis rails and crossmembers (chassis cab/crew cab)
- Detachable front towing eye
- Rear towing eye

## Fuel tank capacity

100 litres (22 gallons).

## Insurance groups

Range from 13A–16A dependent on model specified.

As recommended by the Association of British Insurers.

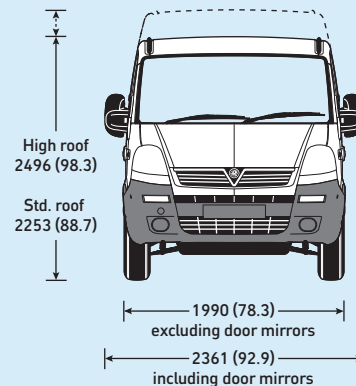
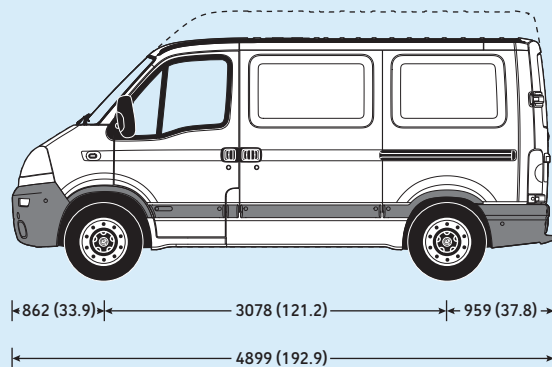


*Six-speed manual gearbox.*



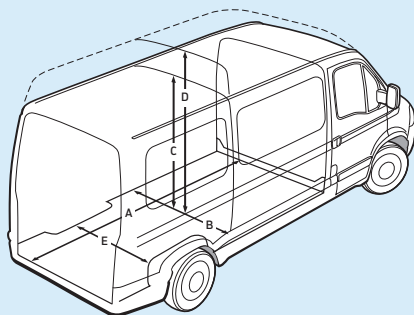
*Six-speed Tecshift transmission (optional).*

SWB panel van



Measurements are shown in millimetres (inches). All heights are shown unladen.

SWB panel van



Loadspace volumes

SAE method	cu.m (cu.ft.)
Standard roof	8.0 (282)
High roof	9.1 (321)

Ground clearance mm (inches)

All base models – laden	150 (5.9)
-------------------------	-----------

Interior dimensions

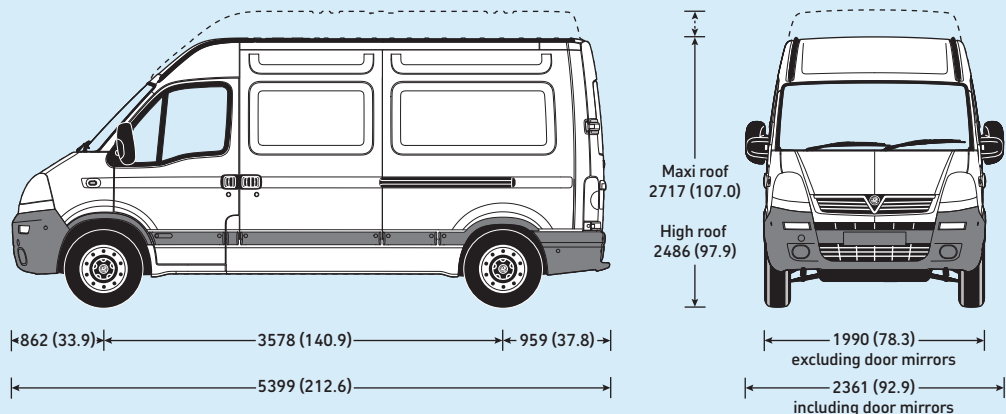
Loadspace	mm (inches)
<b>A</b> Maximum length	2714 (106.9)
<b>B</b> Maximum width	1764 (69.4)
<b>C</b> Maximum height – standard roof	1670 (65.7)
<b>D</b> Maximum height – high roof	1912 (75.3)
<b>E</b> Width between wheel arches	1282 (50.5)
<b>Side door</b>	<b>mm (inches)</b>
Aperture height – std. roof	1555 (61.2)
Aperture height – high roof	1800 (70.9)
Aperture width	1099 (43.3)
<b>Rear doors</b>	<b>mm (inches)</b>
Aperture height – std. roof	1632 (64.3)
Aperture height – high roof	1874 (73.8)
Aperture width (at floor)	1515 (59.6)
Loading height – standard/high roof	543 (21.4)

## Weights and towing data

SWB panel van models	Transmission	UK plated weights and kerbweights kg						Total	Payload kg	Plated Gross Combination Weights (GCW) kg
		Front axle		Rear axle		GVW	Kerb			
		Plated	Kerb	Plated	Kerb					
2800 2.5CDTI 16v (100PS/120PS) standard roof	manual	1570	1179	1600	636	2800	1815	985	4800	
2800 2.5CDTI 16v (100PS/120PS) standard roof	Tecshift	1570	1187	1600	635	2800	1822	978	4800	
2800 2.5CDTI 16v (146PS) standard roof	manual	1570	1196	1600	633	2800	1829	971	4800	
2800 2.5CDTI 16v (146PS) standard roof	Tecshift	1570	1204	1600	632	2800	1836	964	4800	
3300 2.5CDTI 16v (100PS/120PS) high roof	manual	1750	1199	1900	647	3300	1846	1454	5300	
3300 2.5CDTI 16v (100PS/120PS) high roof	Tecshift	1750	1207	1900	646	3300	1853	1447	5300	
3300 2.5CDTI 16v (146PS) high roof	manual	1750	1216	1900	644	3300	1860	1440	5300	
3300 2.5CDTI 16v (146PS) high roof	Tecshift	1750	1224	1900	643	3300	1867	1433	5300	
3500 2.5CDTI 16v (100PS/120PS) high roof	manual	1850	1203	2060	650	3500	1853	1647	5500	
3500 2.5CDTI 16v (100PS/120PS) high roof	Tecshift	1850	1211	2060	649	3500	1860	1640	5500	
3500 2.5CDTI 16v (146PS) high roof	manual	1850	1220	2060	647	3500	1867	1633	5500	
3500 2.5CDTI 16v (146PS) high roof	Tecshift	1850	1228	2060	647	3500	1875	1625	5500	

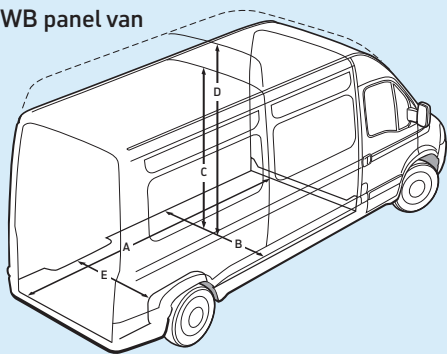
**Note:** Kerbweights for standard vehicles include coolant, oil, 90% full fuel tank and spare wheel. They will vary according to the vehicle specification (including options and accessories) with a corresponding variation in payload. Payload figures do not allow for the weight of the driver, or any passengers, which should therefore be deducted from the figures shown. Gross plated weights (including axle weights) quoted on the vehicle plate must never be exceeded. Roof load maximum 200kg (includes weight of roof carrier) when Vauxhall approved carrier system used. Towing weights should not exceed 750kg (unbraked trailer) or 2000kg (braked trailer).

**MWB panel van**

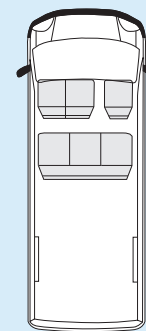
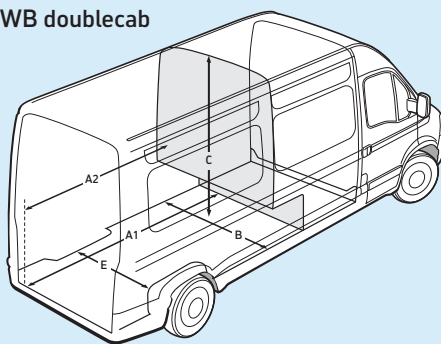


Measurements are shown in millimetres (inches). All heights are shown unladen.

**MWB panel van**



**MWB doublecab**



**Interior dimensions**

Loadspace	mm (inches)
<b>A</b> Maximum length	3214 (126.5)
<b>A1</b> Maximum length at load floor – doublecab	2730 (107.5)
<b>A2</b> Maximum length behind rear seats – doublecab	2160 (85.0)
<b>B</b> Maximum width	1764 (69.4)
<b>C</b> Maximum height – high roof	1912 (75.3)
<b>D</b> Maximum height – maxi roof	2146 (84.5)
<b>E</b> Width between wheel arches	1282 (50.5)
Side door	mm (inches)
Aperture height – high/maxi roof	1800 (70.9)
Aperture width	1099 (43.3)
Rear doors	mm (inches)
Aperture height	1874 (73.8)
Aperture width (at floor)	1515 (59.6)
Loading height – high/maxi roof	540 (21.2)

**Loadspace volumes**

SAE method	cu.m (cu.ft.)
High roof	10.8 (381)
High roof doublecab	6.5 (229)
Maxi roof	12.0 (424)

**Ground clearance** mm (inches)

All base models – laden	150 (5.9)
-------------------------	-----------

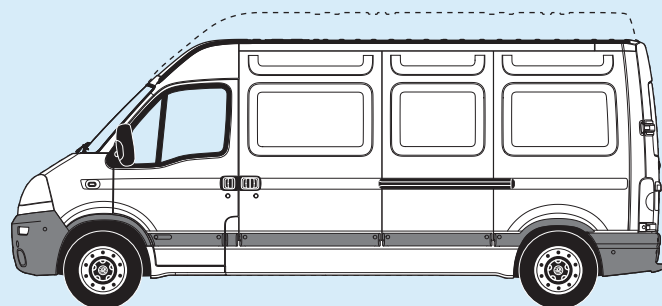


## Weights and towing data

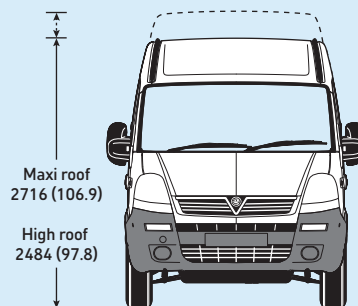
	Trans- mission	UK plated weights and kerbweights kg						Total Kerb	Payload kg	Plated Gross Combination Weights (GCW) kg
		Front axle		Rear axle		GVW				
		Plated	Kerb	Plated	Kerb					
<b>MWB panel van models</b>										
3300 2.5CDTI 16v (100PS/120PS) high roof	manual	1750	1229	1900	658	3300	1887	1413	5300	
3300 2.5CDTI 16v (100PS/120PS) high roof	Tecshift	1750	1238	1900	657	3300	1895	1405	5300	
3300 2.5CDTI 16v (146PS) high roof	manual	1750	1246	1900	655	3300	1901	1399	5300	
3300 2.5CDTI 16v (146PS) high roof	Tecshift	1750	1254	1900	655	3300	1909	1391	5300	
<b>MWB doublecab models</b>										
3500 2.5CDTI 16v (100PS/120PS) high roof	manual	1850	1233	2060	661	3500	1894	1606	5500	
3500 2.5CDTI 16v (100PS/120PS) high roof	Tecshift	1850	1242	2060	660	3500	1902	1598	5500	
3500 2.5CDTI 16v (146PS) high roof	manual	1850	1250	2060	659	3500	1909	1591	5500	
3500 2.5CDTI 16v (146PS) high roof	Tecshift	1850	1258	2060	658	3500	1916	1584	5500	
3500 2.5CDTI 16v (100PS/120PS) maxi roof	manual	1850	1249	2060	669	3500	1918	1582	5500	
3500 2.5CDTI 16v (100PS/120PS) maxi roof	Tecshift	1850	1257	2060	669	3500	1926	1574	5500	
3500 2.5CDTI 16v (146PS) maxi roof	manual	1850	1265	2060	667	3500	1932	1568	5500	
3500 2.5CDTI 16v (146PS) maxi roof	Tecshift	1850	1274	2060	666	3500	1940	1560	5500	
<b>MWB doublecab models</b>										
3500 2.5CDTI 16v (100PS/120PS) high roof	manual	1850	1278	2060	726	3500	2004	1496	5500	
3500 2.5CDTI 16v (100PS/120PS) high roof	Tecshift	1850	1287	2060	725	3500	2012	1488	5500	
3500 2.5CDTI 16v (146PS) high roof	manual	1850	1295	2060	724	3500	2019	1481	5500	
3500 2.5CDTI 16v (146PS) high roof	Tecshift	1850	1303	2060	723	3500	2026	1474	5500	

**Note:** Kerbweights for standard vehicles include coolant, oil, 90% full fuel tank and spare wheel. They will vary according to the vehicle specification (including options and accessories) with a corresponding variation in payload. Payload figures do not allow for the weight of the driver, or any passengers, which should therefore be deducted from the figures shown. Gross plated weights (including axle weights) quoted on the vehicle plate must never be exceeded. Roof load maximum 200kg (includes weight of roof carrier) when Vauxhall approved carrier system used. Towing weights should not exceed 750kg (unbraked trailer) or 2000kg (braked trailer).

**LWB panel van**



862 (33.9) | 4078 (160.6) | 959 (37.8)  
 5899 (232.3)

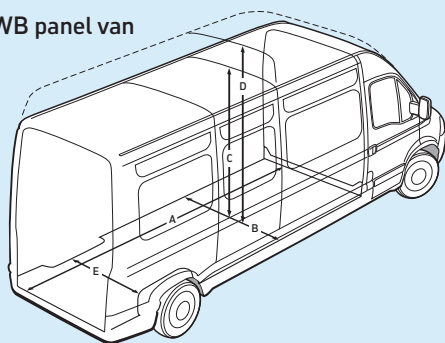


Maxi roof  
2716 (106.9)  
 High roof  
2484 (97.8)

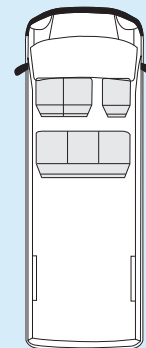
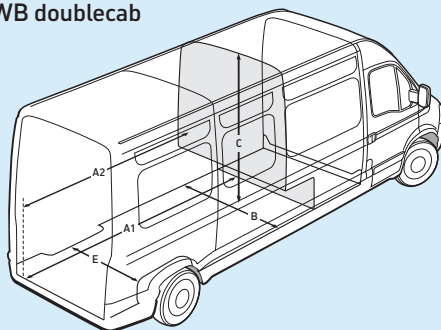
1990 (78.3) excluding door mirrors  
 2361 (92.9) including door mirrors

Measurements are shown in millimetres (inches). All heights are shown unladen.

**LWB panel van**



**LWB doublecab**



**Interior dimensions**

Loadspace	mm (inches)
<b>A</b> Maximum length	3714 (146.2)
<b>A1</b> Maximum length at load floor – doublecab	3230 (127.2)
<b>A2</b> Maximum length behind rear seats – doublecab	2660 (104.7)
<b>B</b> Maximum width	1764 (69.4)
<b>C</b> Maximum height – high roof	1912 (75.3)
<b>D</b> Maximum height – maxi roof	2146 (84.5)
<b>E</b> Width between wheel arches	1282 (50.5)
<b>Side door</b>	<b>mm (inches)</b>
Aperture height – high/maxi roof	1800 (70.9)
Aperture width	1099 (43.3)
<b>Rear doors</b>	<b>mm (inches)</b>
Aperture height	1874 (73.8)
Aperture width (at floor)	1515 (59.6)
Loading height – high roof	537 (21.1)
Loading height – maxi roof	536 (21.1)

**Loadspace volumes**

SAE method	cu.m (cu.ft.)
High roof	12.6 (445)
High roof doublecab	8.9 (314)
Maxi roof	13.9 (491)

**Ground clearance** mm (inches)

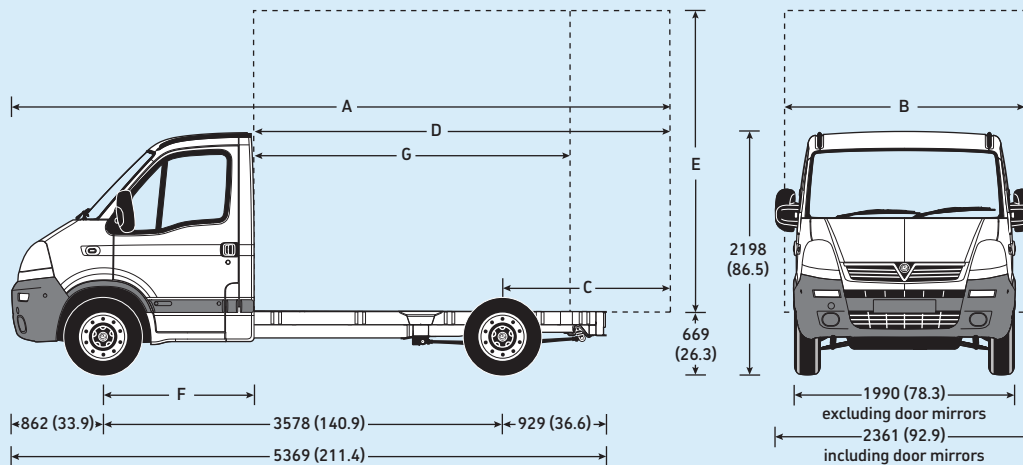
All base models – laden	150 (5.9)
-------------------------	-----------

## Weights and towing data

<i>LWB panel van models</i>	Trans- mission	UK plated weights and kerbweights kg						Total Kerb	Payload kg	Plated Gross Combination Weights (GCW) kg
		Front axle		Rear axle		GVW				
		Plated	Kerb	Plated	Kerb					
3500 2.5CDTI 16v (100PS/120PS) high roof	manual	1850	1264	2060	673	3500	1937	1563	5500	
3500 2.5CDTI 16v (100PS/120PS) high roof	Tecshift	1850	1272	2060	673	3500	1945	1555	5500	
3500 2.5CDTI 16v (146PS) high roof	manual	1850	1280	2060	671	3500	1951	1549	5500	
3500 2.5CDTI 16v (146PS) high roof	Tecshift	1850	1288	2060	671	3500	1959	1541	5500	
3500 2.5CDTI 16v (100PS/120PS) maxi roof	manual	1850	1281	2060	683	3500	1964	1536	5500	
3500 2.5CDTI 16v (100PS/120PS) maxi roof	Tecshift	1850	1290	2060	682	3500	1972	1528	5500	
3500 2.5CDTI 16v (146PS) maxi roof	manual	1850	1298	2060	681	3500	1979	1521	5500	
3500 2.5CDTI 16v (146PS) maxi roof	Tecshift	1850	1304	2060	682	3500	1986	1514	5500	
<i>LWB doublecab models</i>										
3500 2.5CDTI 16v (100PS/120PS) high roof	manual	1850	1317	2060	730	3500	2047	1453	5500	
3500 2.5CDTI 16v (100PS/120PS) high roof	Tecshift	1850	1325	2060	730	3500	2055	1445	5500	
3500 2.5CDTI 16v (146PS) high roof	manual	1850	1333	2060	728	3500	2061	1439	5500	
3500 2.5CDTI 16v (146PS) high roof	Tecshift	1850	1341	2060	728	3500	2069	1431	5500	

**Note:** Kerbweights for standard vehicles include coolant, oil, 90% full fuel tank and spare wheel. They will vary according to the vehicle specification (including options and accessories) with a corresponding variation in payload. Payload figures do not allow for the weight of the driver, or any passengers, which should therefore be deducted from the figures shown. Gross plated weights (including axle weights) quoted on the vehicle plate must never be exceeded. Roof load maximum 200kg (includes weight of roof carrier) when Vauxhall approved carrier system used. Towing weights should not exceed 750kg (unbraked trailer) or 2000kg (braked trailer).

### MWB chassis cab



Measurements are shown in millimetres (inches). All heights are shown unladen.

### Recommended conversion dimensions

	mm (inches)
<b>A</b> Maximum allowable overall length – chassis cab/body	6019 (237.0)
<b>B</b> Maximum allowable overall width of body	2230 (87.8)
<b>C</b> Maximum allowable rear overhang from rear axle	1579 (62.2)
<b>D</b> Maximum allowable body length	3774 (148.6)
<b>E</b> Maximum allowable body height above chassis	2831 (111.4)

	mm (inches)
<b>F</b> Front axle to back of cab	1342 (52.8)
<b>G</b> Minimum allowable body length	3154 (124.2)

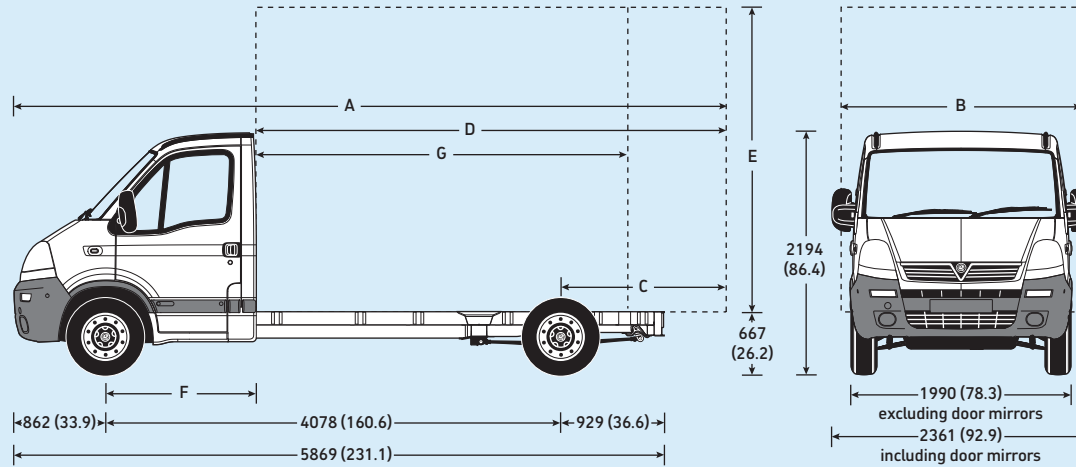
### Weights and towing data

MWB chassis cab models	Transmission	UK plated weights and kerbweights kg						Payload* kg	Plated Gross Combination Weights (GCW) kg
		Front axle		Rear axle		Total	Kerb		
		Plated	Kerb	Plated	Kerb	GVW			
3500 2.5CDTI 16v (100PS/120PS)	manual	1850	1235	2060	397	3500	1632	1868	5500
3500 2.5CDTI 16v (100PS/120PS)	Tecshift	1850	1243	2060	397	3500	1640	1860	5500
3500 2.5CDTI 16v (146PS)	manual	1850	1251	2060	395	3500	1646	1854	5500
3500 2.5CDTI 16v (146PS)	Tecshift	1850	1260	2060	395	3500	1655	1845	5500

\* = The weight of any fitted conversion body will have to be deducted from these figures to establish actual payload.

**Note: Kerbweights** for standard vehicles include coolant, oil, 90% full fuel tank and spare wheel. They will vary according to the vehicle specification (including options and accessories) with a corresponding variation in payload. **Payload** figures do not allow for the weight of the driver, or any passengers, which should therefore be deducted from the figures shown. **Gross plated weights** (including axle weights) quoted on the vehicle plate must never be exceeded. **Towing weights** should not exceed 750kg (unbraked trailer) or 2000kg (braked trailer).

## LWB chassis cab



Measurements are shown in millimetres (inches). All heights are shown unladen.

## Recommended conversion dimensions

	mm (inches)
<b>A</b> Maximum allowable overall length – chassis cab/body	6519 (256.6)
<b>B</b> Maximum allowable overall width of body	2230 (87.8)
<b>C</b> Maximum allowable rear overhang from rear axle	1579 (62.2)
<b>D</b> Maximum allowable body length	4304 (169.4)
<b>E</b> Maximum allowable body height above chassis	2833 (111.6)

	mm (inches)
<b>F</b> Front axle to back of cab	1342 (52.8)
<b>G</b> Minimum allowable body length	3654 (143.9)

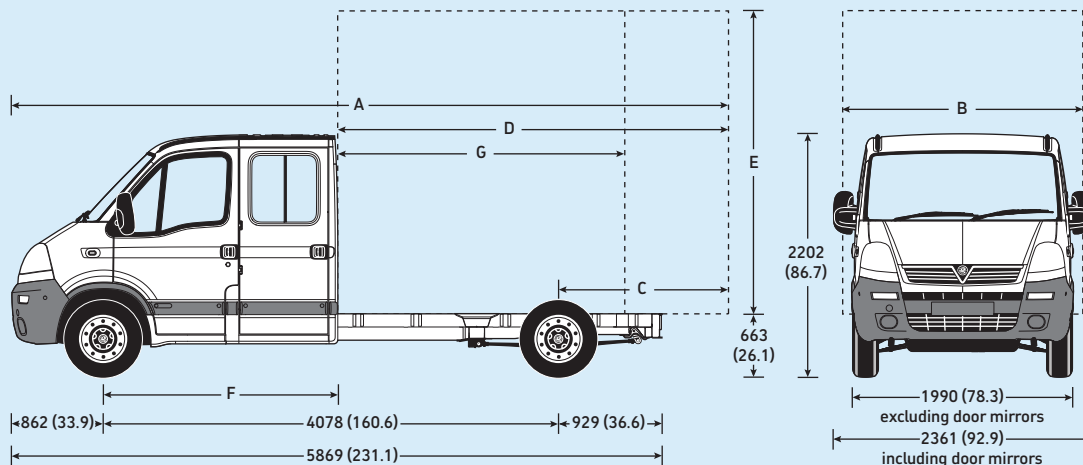
## Weights and towing data

<i>LWB chassis cab models</i>	Trans- mission	UK plated weights and kerbweights kg						Total Kerb	Payload* kg	Plated Gross Combination Weights (GCW) kg
		Front axle		Rear axle		GVW				
		Plated	Kerb	Plated	Kerb					
3500 2.5CDTI 16v (100PS/120PS)	manual	1850	1250	2060	398	3500	1648	1852	5500	
3500 2.5CDTI 16v (100PS/120PS)	Tecshift	1850	1258	2060	398	3500	1656	1844	5500	
3500 2.5CDTI 16v (146PS)	manual	1850	1266	2060	396	3500	1662	1838	5500	
3500 2.5CDTI 16v (146PS)	Tecshift	1850	1275	2060	396	3500	1671	1829	5500	

\* = The weight of any fitted conversion body will have to be deducted from these figures to establish actual payload.

**Note: Kerbweights** for standard vehicles include coolant, oil, 90% full fuel tank and spare wheel. They will vary according to the vehicle specification (including options and accessories) with a corresponding variation in payload. **Payload** figures do not allow for the weight of the driver, or any passengers, which should therefore be deducted from the figures shown. **Gross plated weights** (including axle weights) quoted on the vehicle plate must never be exceeded. **Towing weights** should not exceed 750kg (unbraked trailer) or 2000kg (braked trailer).

### LWB crew cab



Measurements are shown in millimetres (inches). All heights are shown unladen.

### Recommended conversion dimensions

	mm (inches)
<b>A</b> Maximum allowable overall length – crew cab/body	6519 (256.6)
<b>B</b> Maximum allowable overall width of body	2230 (87.8)
<b>C</b> Maximum allowable rear overhang from rear axle	1579 (62.2)
<b>D</b> Maximum allowable body length	3554 (140.0)
<b>E</b> Maximum allowable body height above chassis	2837 (111.7)

	mm (inches)
<b>F</b> Front axle to back of cab	2092 (82.4)
<b>G</b> Minimum allowable body length	2904 (114.3)

### Weights and towing data

LWB chassis cab models	Transmission	UK plated weights and kerbweights kg						Total Kerb	Payload* kg	Plated Gross Combination Weights (GCW) kg
		Front axle		Rear axle		GVW				
		Plated	Kerb	Plated	Kerb					
3500 2.5CDTI 16v (100PS/120PS)	manual	1850	1336	2060	469	3500	1805	1695	5500	
3500 2.5CDTI 16v (100PS/120PS)	Tecshift	1850	1344	2060	468	3500	1812	1688	5500	
3500 2.5CDTI 16v (146PS)	manual	1850	1354	2060	467	3500	1821	1679	5500	
3500 2.5CDTI 16v (146PS)	Tecshift	1850	1362	2060	466	3500	1828	1672	5500	

\* = The weight of any fitted conversion body will have to be deducted from these figures to establish actual payload.

**Note: Kerbweights** for standard vehicles include coolant, oil, 90% full fuel tank and spare wheel. They will vary according to the vehicle specification (including options and accessories) with a corresponding variation in payload. **Payload** figures do not allow for the weight of the driver, or any passengers, which should therefore be deducted from the figures shown. **Gross plated weights** (including axle weights) quoted on the vehicle plate must never be exceeded. **Towing weights** should not exceed 750kg (unbraked trailer) or 2000kg (braked trailer).

## Glossary of terms

### Plated weight

The maximum weight to which a vehicle or an axle may be loaded, determined either by the design of the components or by legislation. All commercial vehicles must carry a manufacturer's 'plate' showing the vehicle and axle gross 'plated weights'. It is an offence to drive a vehicle in a condition where any of these weights are exceeded.

### Kerbweight

The weight of the complete vehicle in standard form, excluding payload and driver but including coolant, oil, 90% full fuel tank and spare wheel where appropriate. Kerbweights quoted in Vauxhall brochures are subject to manufacturing tolerances and to the fitment of optional equipment and accessories. Where load capacity is critical the actual kerbweight should be obtained by weighing the vehicle on a calibrated public weighbridge.

### Gross Vehicle Weight (GVW)

The total permissible weight of a vehicle including payload and passengers, as shown on the manufacturer's plate.

### Gross Combination Weight (GCW)

The maximum permissible weight of a vehicle, including payload and passengers, combined with the total weight of any trailer it is towing. The maximum GCW weight limit is quoted on the vehicle plate and must not be exceeded.

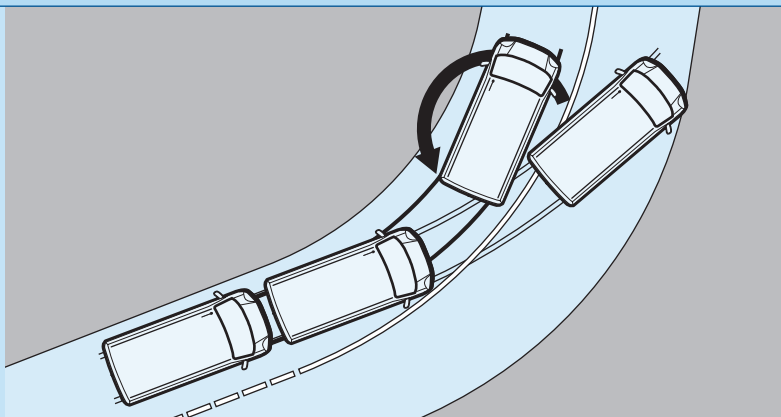
### Payload

The total permissible weight that can be carried without exceeding the vehicle's plated weight. This can be obtained by deducting the kerbweight from the plated Gross Vehicle Weight (GVW). Please note: the payload figure does not allow for the weight of the driver or any passengers.

### Maximum towing weight

The maximum weight of any trailer and its load which may be towed within the limit of the vehicle's plated Gross Combination Weight (GCW). It is based on the ability of the vehicle – at full GCW – to restart on a 12% gradient, which is approximately 1 in 8.3, at sea level. At altitudes above 1500 metres, the engine output may drop with a corresponding reduction in towing capability. It is the operator's responsibility to ensure that the trailer noseweight does not cause the rear axle plated weight of the towing vehicle to be exceeded.

*Always fit Vauxhall towing attachments and accessories available from your Vauxhall Commercial Vehicle retailer. They are designed specifically for Vauxhall models and carry a 12-month warranty.*



### Electronic Stability Programme-plus (ESP-plus)

Movano's optional ESP-plus system goes one step further than the system usually found on Vauxhall's passenger cars. In understeer situations, the system automatically applies corrective braking to the appropriate rear wheel to correct the tendency; in oversteer situations, it automatically applies the brake to the appropriate front wheel. Because a commercial vehicle is also faced with significant weight and load issues which can influence this tendency to understeer or oversteer by affecting the centre of gravity, Movano's ESP system also incorporates a load sensor that adjusts the intensity of the braking effort to suit the demands of the payload. The system is available on all Movano panel van models not fitted with the Tecshift transmission or height-adjustable pneumatic rear suspension.

# Trust Vauxhall

## Protecting the environment

Vauxhall's commitment to the environment is demonstrated by our products' many environmental awards, won both through the use of more recycled materials and by becoming cleaner and more efficient. For information on Vauxhall's efforts to achieve an environmentally sustainable future, see [www.vauxhall.co.uk/recycling](http://www.vauxhall.co.uk/recycling)

## Fleet Customer Services


Our dedicated support services for fleet managers includes factory demonstrators and information on whole life costs, company car and van taxation and finance. For further information please call **0870 010 0651**.

## Sureguard protection

Sureguard Assistance offers the benefits of Vauxhall Assistance for three years from first registration, while Sureguard Warranty also provides a parts and labour warranty for high-mileage or long-term owners. For details contact your local Vauxhall retailer or call **0870 752 7020**.



When you have finished with this brochure please recycle it

The GM Card is issued by HFC Bank Limited and is available to persons aged 18 years or over and resident in the UK (or 21 and over in the Channel Islands) and is subject to status and conditions. Written quotations are available upon request from The GM Card, PO Box 3615, Birmingham B3 2RJ. The typical APR quoted is the rate for new customers. Rebate Points are earned on purchases using The GM Card. Rebate Points are not earned on Balance Transfers or Cash Advances. You earn money off a new Vauxhall/Saab by accumulating Rebate Points under the Rebate Points Programme. General Motors UK Limited is solely responsible for the operation of the Rebate Points Programme, which is subject to the Rebate Points Programme Rules. \*You can redeem up to 2500 Rebate Points subject to the Model Line Maximum which will vary in amount in relation to different Vauxhall/Saab vehicle model lines and unlimited Partner Points. Rebate Points and unlimited Partner Points are redeemable as discounts on a new Vauxhall/Saab vehicle and must be redeemed four years from the issue date. Rebate Points may not be redeemed by Motability Contract Hire customers. The GM Card is a trading name and style of both HFC Bank Limited and General Motors UK Limited. HFC Bank registered in England No. 1117305. Registered Office: North Street, Winkfield, Windsor, Berkshire SL4 4TD is authorised and regulated by the Financial Services Authority. **Member HSBC**  **Group** HFC Bank Limited is not a member of the same group of companies as General Motors UK Limited, Saab GB Limited or GMAC UK plc. General Motors UK Limited. Registered Office: Griffin House, Osborne Road, Luton, Bedfordshire LU1 3YT. Registered in England number 135767. - CN6/0987.

Every effort has been made to ensure that the contents of this publication were accurate and up-to-date at the time of going to press (December 2008). Vauxhall vehicles are equipped with components manufactured by various General Motors operating units and outside suppliers. The Company reserves the right to alter specifications and withdraw products from sale without notice. Any such alterations will be notified to Vauxhall retailers at the earliest opportunity; please consult your local retailer for the latest information. The specifications detailed within this brochure are not necessarily applicable to alternative models such as Special Editions. Details of any such models will be contained in specific literature or found on the Vauxhall website. Please note that Vauxhall retailers are not the agents of General Motors UK Limited and are not authorised to bind the Company by any specific or implied undertaking or representation. It is advisable to ensure that your motor insurance policy provides adequate cover for additional fitted options and accessories. As part of Vauxhall's policy of environmental care, this brochure is printed on paper manufactured using Elemental Chlorine Free pulps from specially farmed, sustainable timber resources. All rights reserved. No part of this publication may be reproduced in any form or by any means, without the prior written permission of General Motors UK Limited.

VM0807918 Published December 2008 (BMB/Graymatter) General Motors UK Limited, Luton LU1 3YT

## Business Lease

Business Lease, from GMAC, offers the versatility of a purchase-based finance plan, while making the most efficient use of tax and cash-flow benefits for VAT-registered business users. It's available for all Vauxhall Commercial Vehicles up to 12 months old and offers highly flexible term lengths, variable deposits and a choice of payment profiles. Ask your retailer for full details.

## Business First

Available to business users only, Business First enables you to drive a new vehicle without a large, initial financial outlay. You pay to use the vehicle, not to own it. The vehicle is provided over a predetermined period, and when that period comes to an end the vehicle is returned. Ask your retailer for full details.

## Servicing and maintenance

The best way to maximise the performance and reliability of your Vauxhall is to have all routine servicing and maintenance carried out at a Vauxhall Commercial Vehicle retailer. There are over 200 light commercial vehicle and 120 heavy commercial vehicle retailers nationwide.

## In the event of an accident...

Vauxhall Accident Support helps keep you mobile following an accident. Benefits include scene-of-accident advice, message service, assistance with claims and vehicle recovery. For further details call **0800 010 304**.

## Premier Service Centres

Our Premier Service Centres feature a guaranteed same day repair service (provided the parts are in stock) and an appointment-free service for diagnosis and repairs taking less than 90 minutes. All repairs are carried out within 24 hours of the diagnosis.

## For more information...

For a brochure on any Vauxhall model (up to a maximum of three per caller) or location of your nearest retailer, call **0845 600 1500**.

Alternatively, details can be found on our website at: [www.vauxhall.co.uk/vans](http://www.vauxhall.co.uk/vans)



- Save up to **£1000\*** on a new Vauxhall with The GM Card
- 100 Rebate Points worth **£100** when you use The GM Card for the first time
- Rebate Point saving is on top of any discount or offer negotiated with the Retailer
- Earn 3 Rebate Points (**£3**) for every **£100** you spend

**Typical 14.9% APR variable**

To apply call **0845 746 2777** or visit [www.gmcard.co.uk](http://www.gmcard.co.uk)



**COMMERCIAL VEHICLES**  
*The Wheels of Business*

**VAUXHALL**